

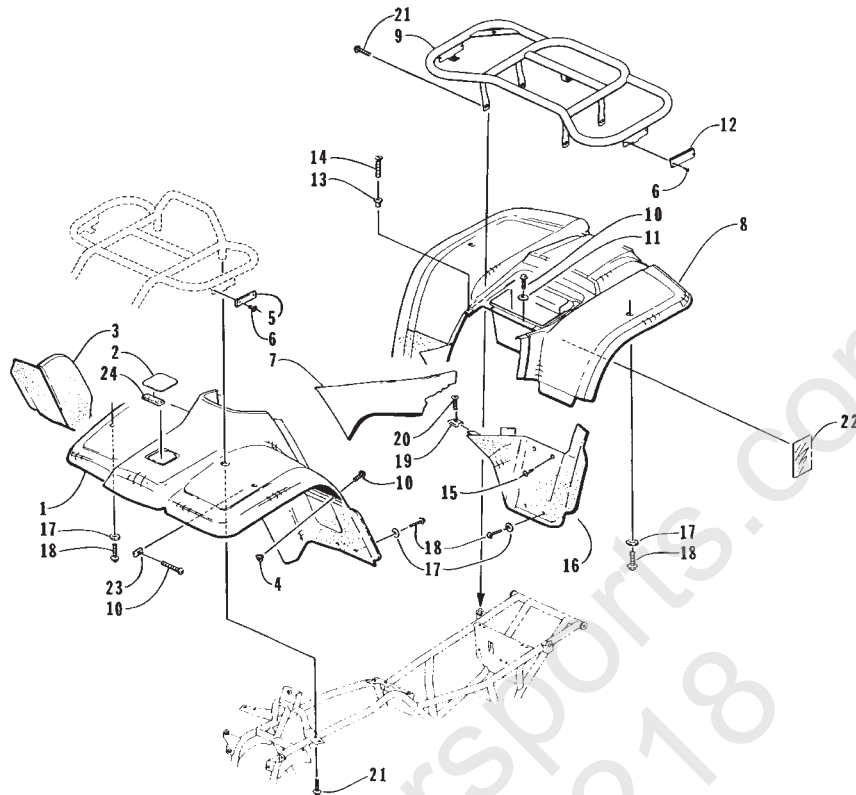
# BEARCAT ATV 2X4

(Model No. 97A2A-AP)

## Table Of Contents

AIR INTAKE ASSEMBLY . . . . .	15 . . . . .	E10
BATTERY ASSEMBLY . . . . .	16 . . . . .	E11
BODY PANEL ASSEMBLY . . . . .	1 . . . . .	D10
CAM CHAIN ASSEMBLY . . . . .	30 . . . . .	F11
CAM SHAFT VALVE ASSEMBLY . . . . .	29 . . . . .	F10
CARBURETOR . . . . .	21 . . . . .	F2
CLUTCH ASSEMBLY . . . . .	34 . . . . .	G1
CONTROL SWITCH HOUSING ASSEMBLY . . . . .	45 . . . . .	G12
COOLING ASSEMBLY . . . . .	18 . . . . .	E13
CRANK BALANCER ASSEMBLY . . . . .	28 . . . . .	F9
CRANKCASE ASSEMBLY . . . . .	24 . . . . .	F5
CRANKCASE COVER ASSEMBLY . . . . .	25 . . . . .	F6
CRANKSHAFT ASSEMBLY . . . . .	26 . . . . .	F7
CYLINDER ASSEMBLY . . . . .	23 . . . . .	F4
CYLINDER HEAD ASSEMBLY . . . . .	22 . . . . .	F3
DECALS . . . . .	3 . . . . .	D12
ELECTRICAL COMPONENTS ASSEMBLY . . . . .	44 . . . . .	G11
ENGINE AND EXHAUST . . . . .	17 . . . . .	E12
FRAME AND RELATED PARTS . . . . .	4 . . . . .	D13
FRONT SUSPENSION ASSEMBLY . . . . .	7 . . . . .	E2
FUEL TANK ASSEMBLY . . . . .	13 . . . . .	E8
GEAR SHIFTING ASSEMBLY . . . . .	39 . . . . .	G6
HYDRAULIC BRAKE ASSEMBLY . . . . .	12 . . . . .	E7
HYDRAULIC BRAKE CONTROL ASSEMBLY . . . . .	11 . . . . .	E6
MAGNETO ASSEMBLY . . . . .	43 . . . . .	G10
MECHANICAL BRAKE ASSEMBLY . . . . .	10 . . . . .	E5
OIL FILTER/PUMP ASSEMBLY . . . . .	32 . . . . .	F13
REAR AXLE ASSEMBLY . . . . .	19 . . . . .	E14
REAR BEVEL GEAR ASSEMBLY . . . . .	41 . . . . .	G8
REAR SUSPENSION ASSEMBLY . . . . .	8 . . . . .	E3
RECOIL STARTER ASSEMBLY . . . . .	31 . . . . .	F12
RELATED ITEMS . . . . .	Back Cover . . . . .	G14
REVERSE SHIFT LEVER ASSEMBLY . . . . .	14 . . . . .	E9
SEAT ASSEMBLY . . . . .	5 . . . . .	D14
SECONDARY DRIVE ASSEMBLY . . . . .	38 . . . . .	G5
SECONDARY TRANSMISSION ASSEMBLY . . . . .	36 . . . . .	G3
SHIFTER ASSEMBLY . . . . .	40 . . . . .	G7
SPEEDOMETER DRIVE ASSEMBLY . . . . .	37 . . . . .	G4
STARTER CLUTCH ASSEMBLY . . . . .	27 . . . . .	F8
STARTER MOTOR ASSEMBLY . . . . .	42 . . . . .	G9
STEERING ASSEMBLY . . . . .	6 . . . . .	E1
TAILLIGHT ASSEMBLY . . . . .	2 . . . . .	D11
THROTTLE CASE ASSEMBLY . . . . .	46 . . . . .	G13
TRANSMISSION ASSEMBLY . . . . .	35 . . . . .	G2
WATER PUMP ASSEMBLY . . . . .	33 . . . . .	F14
WHEEL AND TIRE ASSEMBLY . . . . .	9 . . . . .	E4
WIRING HARNESS ASSEMBLY . . . . .	20 . . . . .	F1

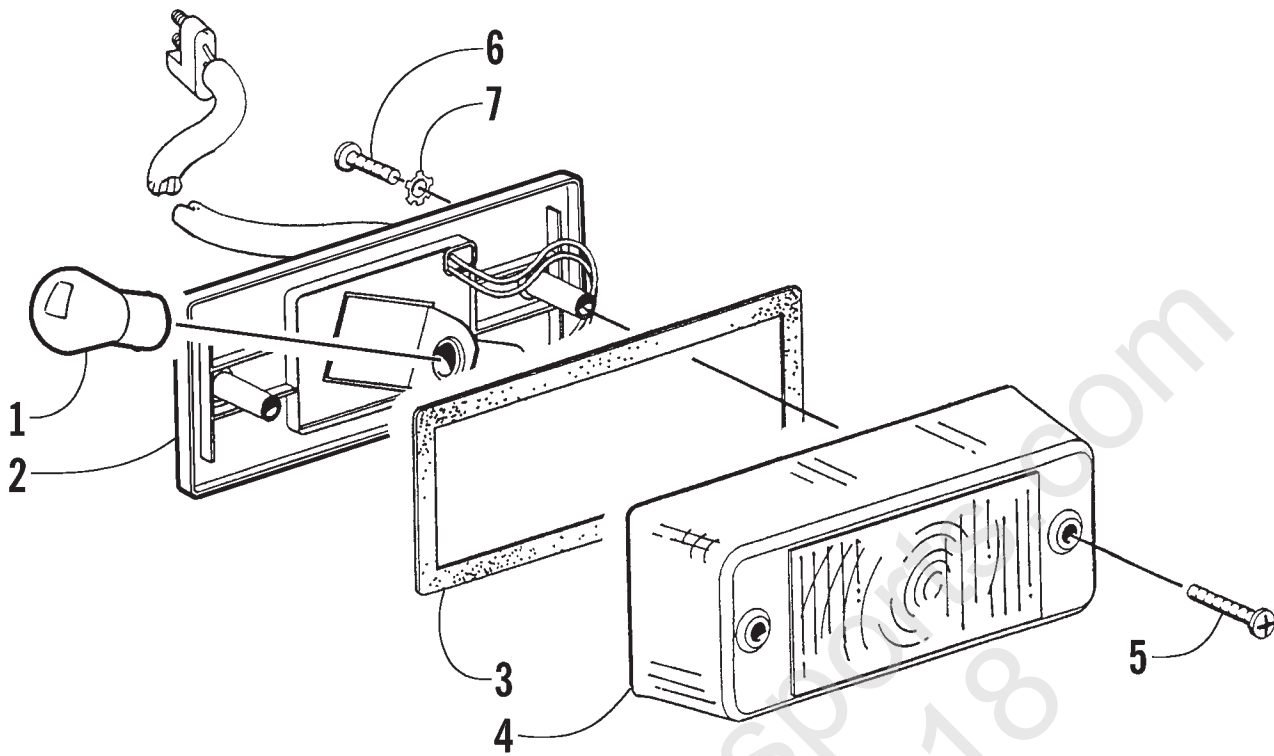
**NOTE:** The illustrations used in this Parts Manual are for reference to replacement part numbers only and are not to be used for assembly. For assembly procedures, use Arctic Cat Service Manuals.  
Underlined part numbers are new for the 1997 model year.



## BODY PANEL ASSEMBLY

0732-911

Ref.	Part No.	Qty.	Description	Ref.	Part No.	Qty.	Description
1	<u>0506-168</u>	1	Panel, Fender - Front	13	0123-010	2	Nut, Expansion
2	<u>0406-271</u>	1	Cover, Radiator Access	14	0423-068	2	Screw, Machine
3	<u>0506-170</u>	1	Flair, Fender - Front Right	15	0423-046	8	Rivet, Plastic
	<u>0506-171</u>	1	Flair, Fender - Front Left	16	0406-084	1	Extension, Fender - Rear Right
4	<u>0423-074</u>	4	T-Nut		0406-085	1	Extension, Fender - Rear Left
5	0606-526	2	Yellow Reflector	17	0423-010	13	Washer, Body
6	0623-269	8	Clip, Retaining	18	8474-616	13	Screw, Machine
7	<u>0506-174</u>	1	Panel, Side - Right	19	0423-060	2	Clip, Tinerman
	<u>0506-175</u>	1	Panel, Side - Left	20	0623-309	2	Screw, Self-Tapping
8	<u>0506-169</u>	1	Panel, Fender - Rear	21	8409-020	6	Screw, Cap
9	0506-143	1	Rack - Rear	22	0706-990	AR	Tape, Foil
10	8477-616	7	Screw, Machine	23	0423-031	2	Nut, Speed
11	0623-184	1	Washer	24	0506-180	1	Foam, Rad Access
12	0606-029	2	Red Reflector				

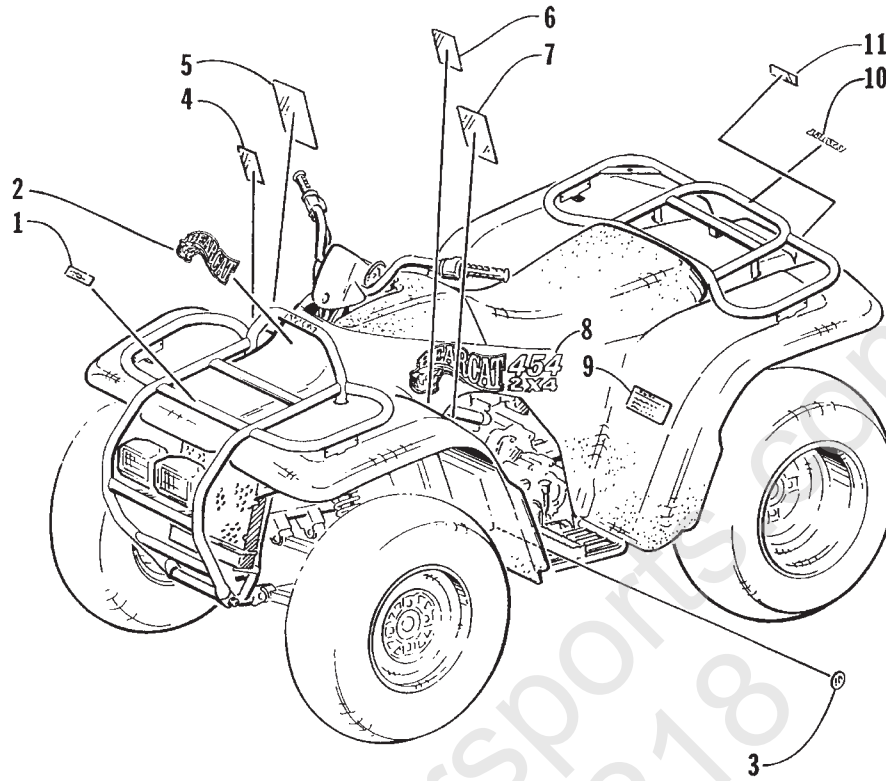


## TAILLIGHT ASSEMBLY

(Complete Taillight Assembly p/n 0409-002)

0732-336

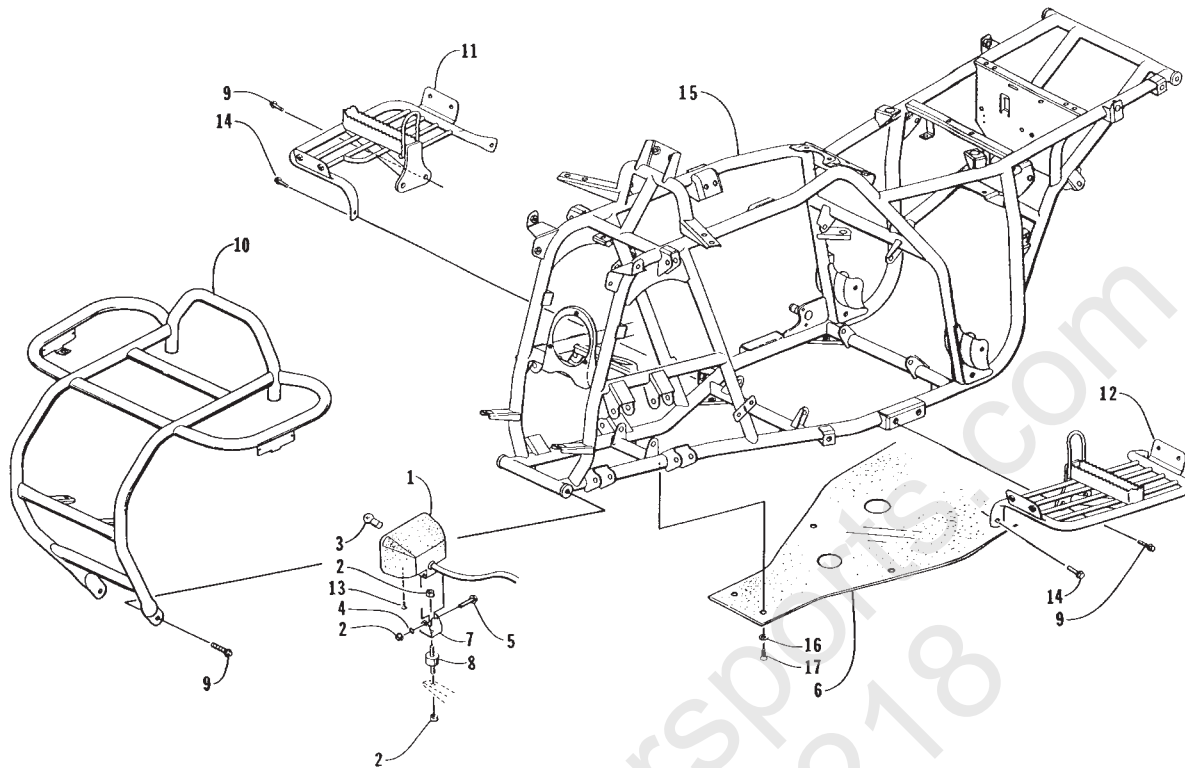
Ref.	Part No.	Qty.	Description	Ref.	Part No.	Qty.	Description
1	0109-460	1	Bulb, Stop Taillight	5	0409-010	2	Screw, Machine
2	0409-011	1	Taillight w/Socket Assembly	6	0623-301	2	Screw, Self-Tapping
3	0409-012	1	Gasket, Taillight	7	8053-212	2	Washer, Lock
4	0409-007	1	Lens, Taillight				



## DECALS

0732-914

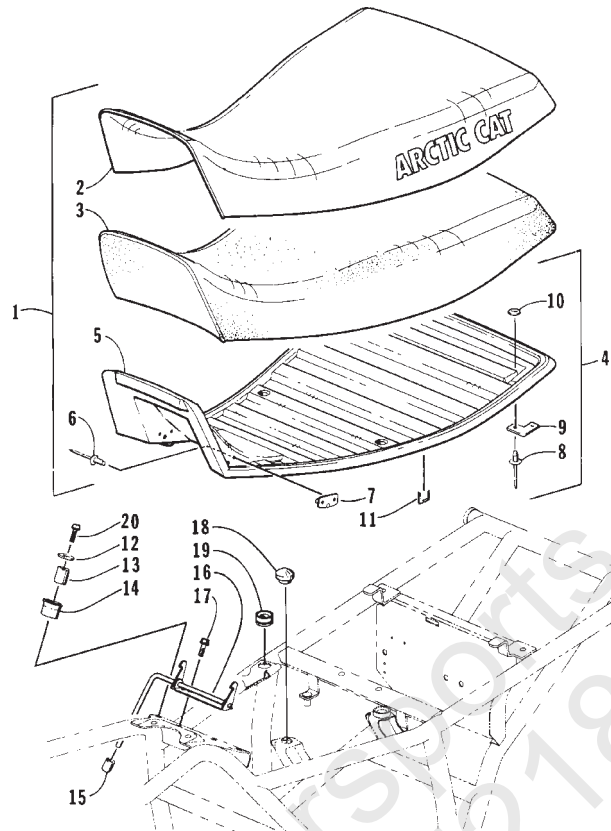
Ref.	Part No.	Qty.	Description	Ref.	Part No.	Qty.	Description
1	0411-058	1	Decal, Warning - Front Rack Load	7	0411-010	1	Decal, Warning - General
2	0411-038	1	Decal, "Bearcat" - Front	8	0411-036	1	Decal, "Bearcat" - Side Right
3	0411-003	1	Decal, Shift Pattern		0411-037	1	Decal, "Bearcat" - Side Left
4	0411-045	1	Decal, Warning - Turn	9	0411-012	1	Decal, Warning - Tire Pressure
5	0411-008	1	Decal, Warning Reverse/Pre Ride	10	0411-060	1	Decal, "Arctic Cat"
6	0411-040	1	Decal, Warning - Age	11	0411-059	1	Decal, Warning - Rear Rack Load



## FRAME AND RELATED PARTS

0732-915

Ref. Part No.	Qty.	Description	Ref. Part No.	Qty.	Description		
1	0409-001	2	Headlight	10	0506-144	1	Bumper - Front
2	8424-802	6	Nut, Lock	11	0506-066	1	Footrest - Right
3	0409-005	2	Bulb, Headlight	12	0506-067	1	Footrest - Left
4	8053-242	2	Washer, Lock	13	0123-590	2	Screw, Machine
5	8408-850	2	Screw, Cap	14	8408-816	4	Screw, Cap
6	0406-280	1	Panel, Belly	15	0506-133	1	Frame
7	0406-261	2	Yoke, Headlight	16	0423-010	8	Washer, Shoulder
8	0406-262	2	Mount, Headlight	17	8474-616	8	Screw, Machine
9	8409-020	8	Screw, Cap				

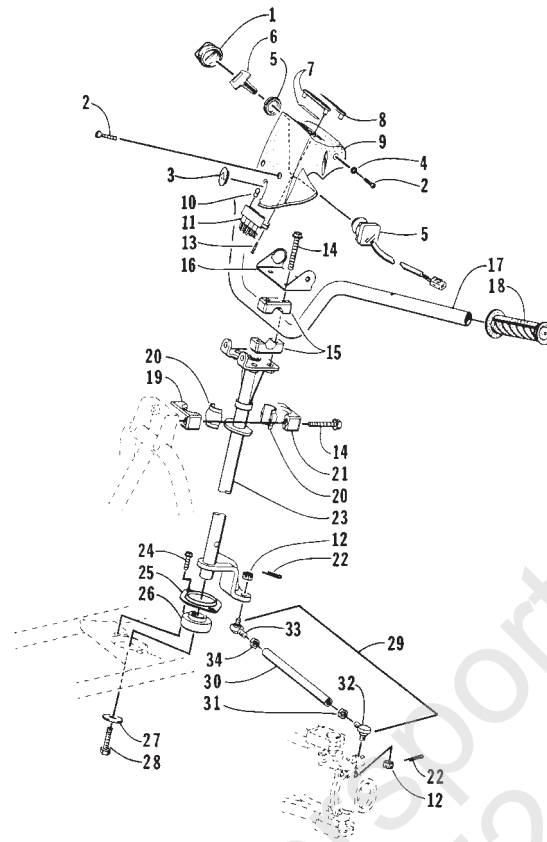


## SEAT ASSEMBLY

0732-342

Ref.	Part No.	Qty.	Description	Ref.	Part No.	Qty.	Description
1	5990-012	1	Seat - Assembly (inc. 2-11)	11	0624-263	AR	● Staple
2	0506-054	1	● Cover, Seat	12	8050-217	2	Washer
3	0506-056	1	● Foam, Seat	13	0406-199	2	Collar, Front Seat Base
4	0506-167	1	● Base, Seat - Assembly (inc. 5-10)	14	0406-171	2	Bumper, Seat Base - Front
5	0506-166	1	● Base, Seat	15	0623-404	1	Cap, Protector
6	8061-628	4	● Rivet	16	0406-103	1	Latch, Seat - Assembly
7	0506-147	1	● Pin, Seat Base - Front	17	8477-616	2	Screw, Machine
8	8060-630	4	● Rivet	18	0406-270	2	Bumper, Seat Base - Center
9	0406-268	2	● Plate, Seat Retainer	19	0406-172	2	Bumper, Seat Base - Center
10	8050-152	4	● Washer	20	8408-620	2	Screw, Cap

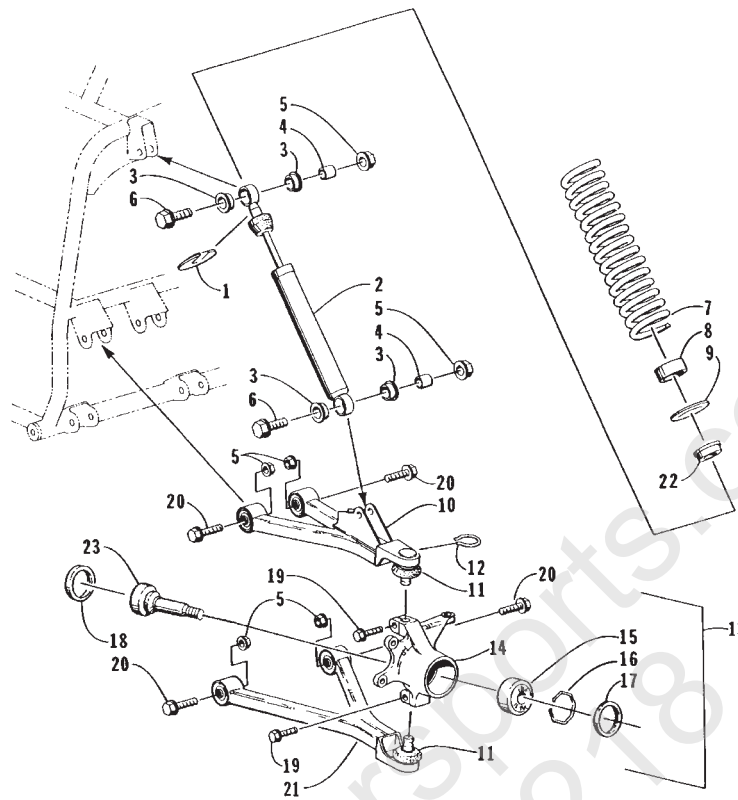
# BEARCAT ATV 2 X 4



## STEERING ASSEMBLY

0732-916

Ref.	Part No.	Qty.	Description	Ref.	Part No.	Qty.	Description
1	0409-013	1	Cover, Key	18	0405-039	2	Grip, Handlebar
2	8477-616	3	Screw, Machine	19	0605-171	1	Housing, Bearing - Lower
3	0405-037	1	Plug, Instrument Pod	20	0405-020	2	Bearing, Steering Post
4	0423-052	1	Collar, Body	21	0705-064	1	Housing, Bearing - Upper
5	3430-013	1	Switch, Ignition - Assembly (inc. 6)	22	0117-868	4	Pin, Cotter
6	3409-007	1	• Key, Ignition - Blank (C Series)	23	0505-012	1	Post, Steering
	3409-011	1	• Key, Ignition - Blank (D Series)	24	8408-816	2	Screw, Cap
7	0420-011	1	Bezel/Lens, Warning - Assembly	25	0602-233	1	Flange, Bearing
8	0405-036	1	Plate, "Arctic Cat" - Instrument Pod	26	0107-223	1	Bearing - w/o Lock Collar
9	0405-019	1	Instrument Pod	27	0123-570	1	Washer
10	0420-013	4	Bulb, Light Bar	28	8409-020	1	Screw, Cap
11	0420-001	1	Light, Warning - Assembly	29	0505-001	1	Tie Rod, Assembly (inc. 30-34)
12	0423-014	4	Nut, Hex	30	0405-032	2	• Tie Rod
13	0123-950	4	Screw, Self-Tapping	31	8420-002	2	• Nut
14	8408-860	6	Screw, Cap	32	0405-011	2	• Ball Joint, Tie Rod - Left
15	0405-035	4	Cap, Steering Adjuster	33	0405-010	2	• Ball Joint, Tie Rod - Right
16	0506-139	1	Bracket, Key Switch	34	0423-013	2	• Nut
17	0505-007	1	Tube, Handlebar				

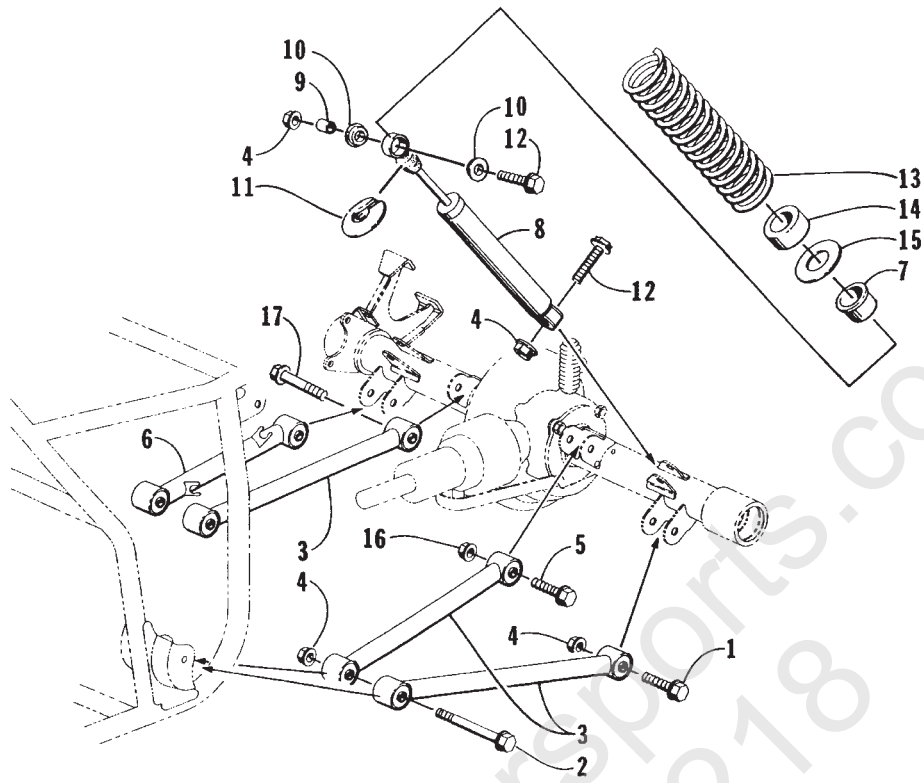


## FRONT SUSPENSION ASSEMBLY

0735-762

Ref.	Part No.	Qty.	Description	Ref.	Part No.	Qty.	Description
1	0603-033	2	Retainer, Spring	13	0505-016	1	Knuckle - Assembly - Right (inc. 14 and one No. 15-18)
2	0403-034	2	Shock Absorber - Front (inc. 3-4)		0505-017	1	Knuckle - Assembly - Left (inc. 14 and one No. 15-18)
3	0604-310	8	• Bushing, Shock Absorber	14	0505-010	1	• Knuckle, Steering - Right
4	0403-028	4	• Sleeve, Shock		0505-011	1	• Knuckle, Steering - Left
5	8424-802	12	Nut, Lock	15	0402-085	2	• Bearing, Wheel Hub - Front
6	8409-040	4	Screw, Cap	16	0423-034	2	• Clip, Bearing
7	0403-002	2	Spring, Shock Absorber	17	0402-089	2	• Seal, Wheel Bearing - Front
8	0403-025	2	Collar, Spring	18	0402-069	2	• Seal, Wheel Bearing - Front
9	0403-013	2	Washer, Spring	19	8409-030	4	Screw, Cap
10	0503-026	1	A-Arm, Upper Right - Assembly (inc. one No. 11-12)	20	8409-060	8	Screw, Cap
	0503-027	1	A-Arm, Upper Left - Assembly (inc. one No. 11-12)	21	0503-007	2	A-Arm, Lower Left (inc. one No. 11-12)
11	0405-001	4	• Ball Joint - Front	22	0403-027	2	Retainer, Spring - Lower
12	0423-009	2	• Clip, Ball Joint	23	0402-060	2	Stub, Axle

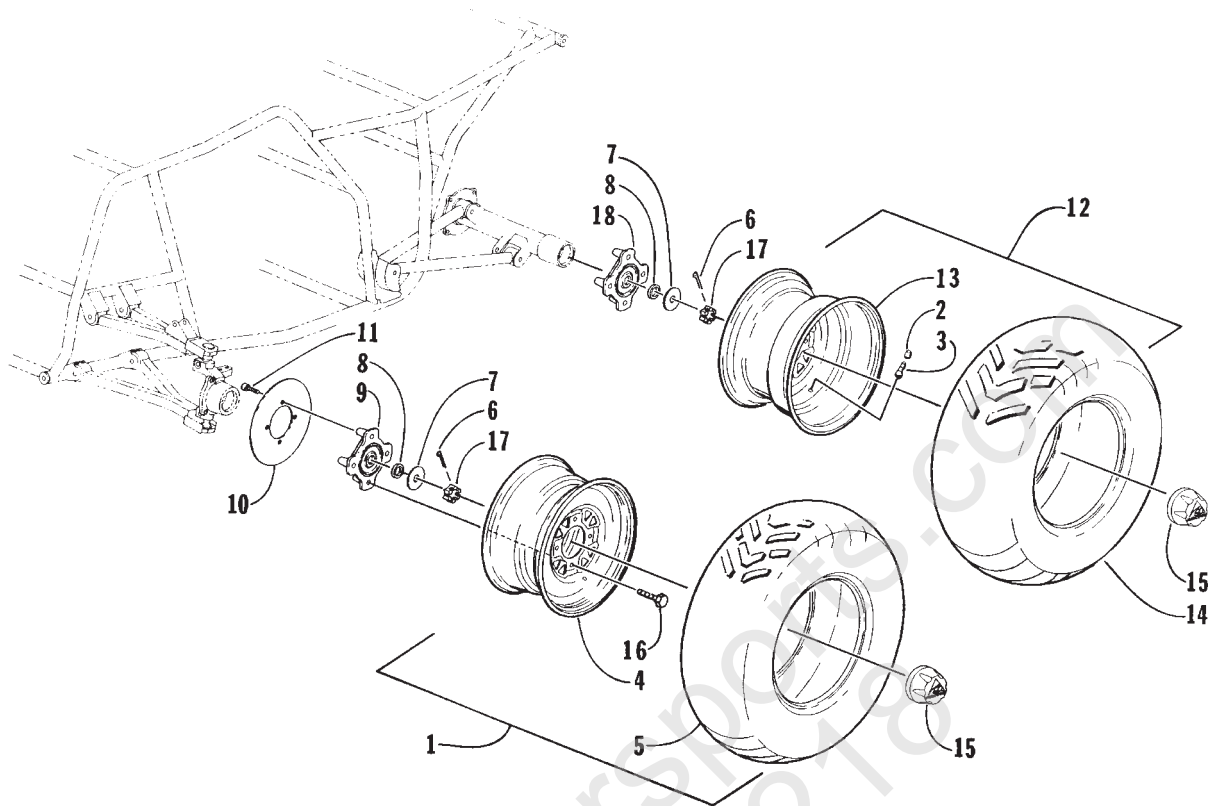




## REAR SUSPENSION ASSEMBLY

0732-919

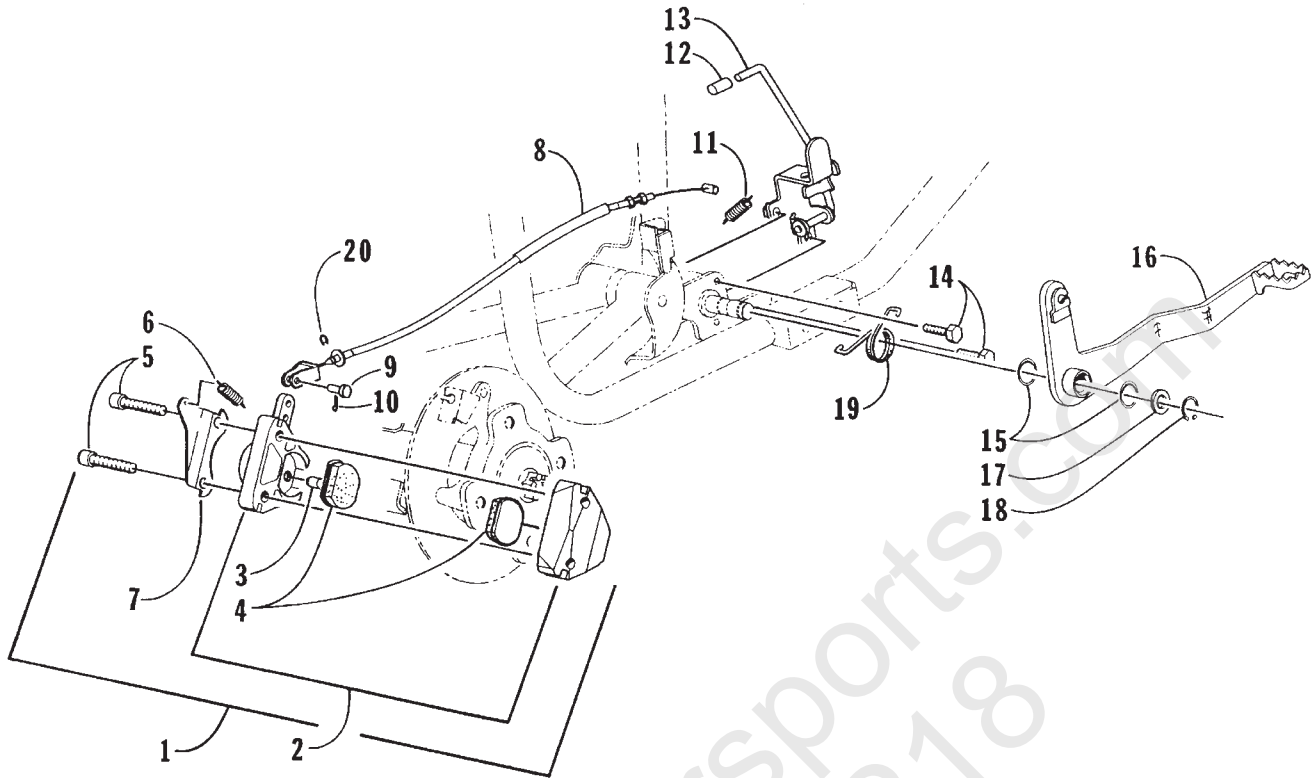
Ref.	Part No.	Qty.	Description	Ref.	Part No.	Qty.	Description
1	8409-060	2	Screw, Cap	9	0403-028	4	• Sleeve, Shock
2	8409-000	2	Screw, Cap	10	0604-310	8	• Bushing, Shock Absorber
3	0504-001	3	Arm, Swing	11	0603-033	2	Retainer, Spring
4	8428-002	8	Nut, Lock	12	8409-040	4	Screw, Cap
5	8409-055	1	Screw, Cap	13	0404-009	2	Spring, Shock Absorber
6	0504-005	1	Arm, Swing	14	0403-025	2	Collar, Spring
7	0403-027	2	Retainer, Spring - Lower	15	0403-013	2	Washer, Spring Adjustment
8	<u>0404-008</u>	2	Shock Absorber - Rear (inc. two No. 9 and four No. 10)	16	8422-002	1	Nut, Lock
				17	8409-065	1	Screw, Cap



## WHEEL AND TIRE ASSEMBLY

0732-332

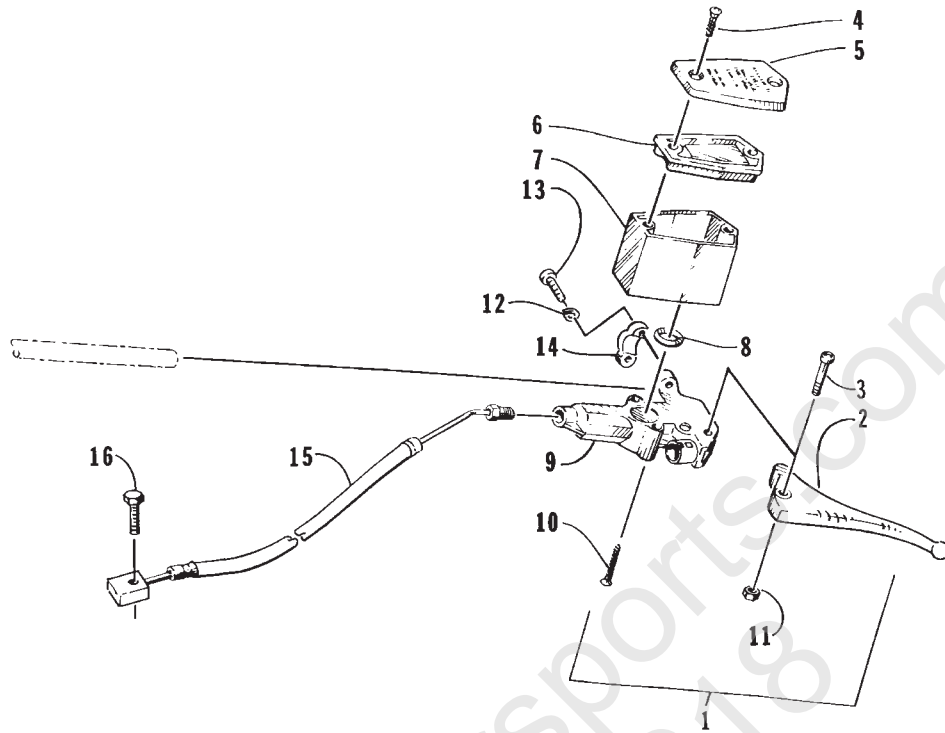
Ref.	Part No.	Qty.	Description	Ref.	Part No.	Qty.	Description
1	<u>0402-148</u>	1	Wheel and Tire Assembly - Front Right (inc. one No. 2-5)	10	0402-009	3	Disc, Brake
	<u>0402-149</u>	1	Wheel and Tire Assembly - Front Left (inc. one No. 2-5)	11	0423-029	12	Screw, Machine
2	0402-140	4	• Cap, Valve Stem	12	<u>0402-150</u>	1	Wheel and Tire Assembly - Rear Right (inc. one No. 2-3 and 13-14)
3	0402-064	4	• Valve, Stem		<u>0402-151</u>	1	Wheel and Tire Assembly - Rear Left (inc. one No. 2-3 and 13-14)
4	0402-005	2	• Wheel - Front	13	0402-006	2	• Wheel - Rear
5	<u>0402-152</u>	2	• Tire - Front	14	<u>0402-153</u>	2	• Tire - Rear
6	0123-458	4	Pin, Cotter	15	0403-011	4	Cap, Wheel - Center
7	0423-021	4	Washer	16	8409-020	16	Screw, Cap
8	0402-099	4	Seal, Hub	17	0423-015	4	Nut, Hex
9	0402-082	2	Hub, Wheel - Front	18	0402-080	2	Hub, Wheel - Rear



## MECHANICAL BRAKE ASSEMBLY

0732-337

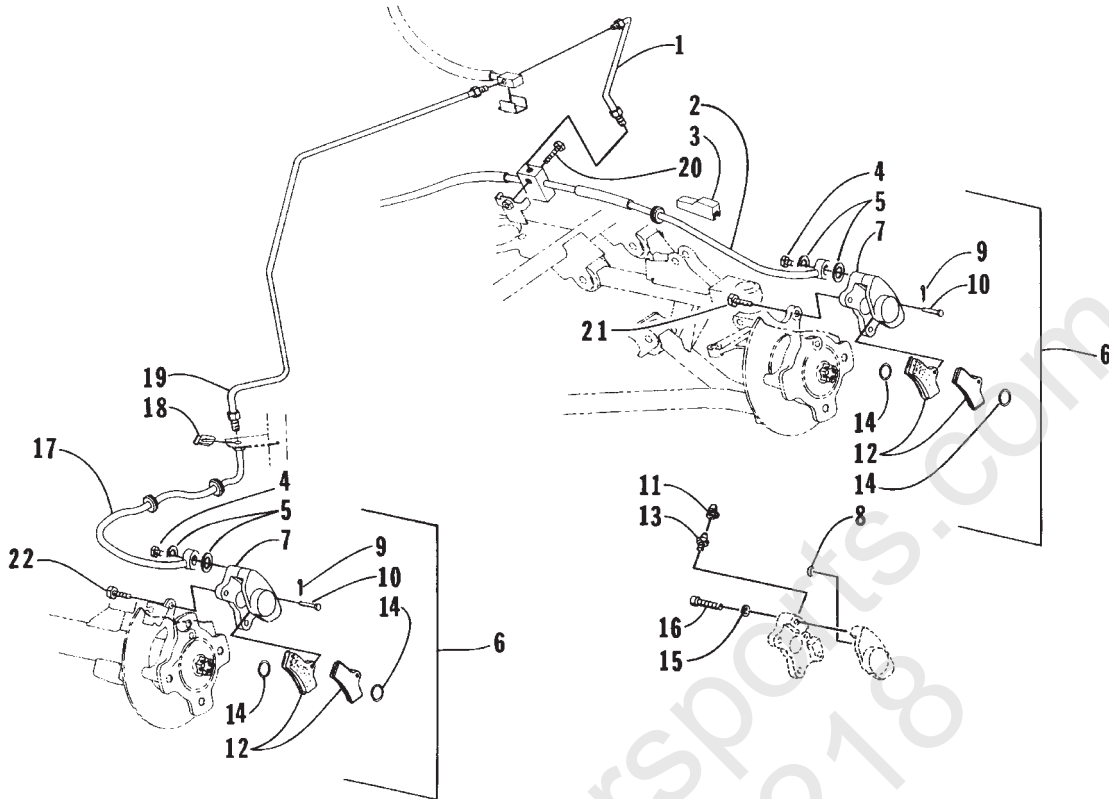
Ref.	Part No.	Qty.	Description	Ref.	Part No.	Qty.	Description
1	0436-099	1	Mechanical Brake Assembly (inc. 2-7)	11	0115-602	1	Spring, Brake Arm Return
2	0402-128	1	● Caliper, Mechanical Brake - Assembly (inc. 2-4)	12	0423-064	1	Cap, Protector - Red
3	0402-125	1	● ● Pin, Actuator	13	0502-035	1	Brake, Parking
4	0502-020	1	● ● Pad Set	14	8408-616	2	Screw, Cap
5	0423-058	2	● Screw, Socket Head	15	0670-183	2	O-Ring
6	0402-129	1	● Spring, Mechanical Brake	16	0502-024	1	Lever, Foot Brake
7	0402-116	1	● Bracket, Spring Retaining	17	0423-027	1	Washer, Brake Lever
8	0487-004	1	Cable, Brake - Rear	18	0623-237	1	Ring, Snap
9	0423-049	1	Pin	19	0402-144	1	Spring, Foot Brake
10	0117-868	1	Pin, Cotter	20	0124-057	1	E-Ring



## HYDRAULIC BRAKE CONTROL ASSEMBLY

0732-338 \*Not a Service Part

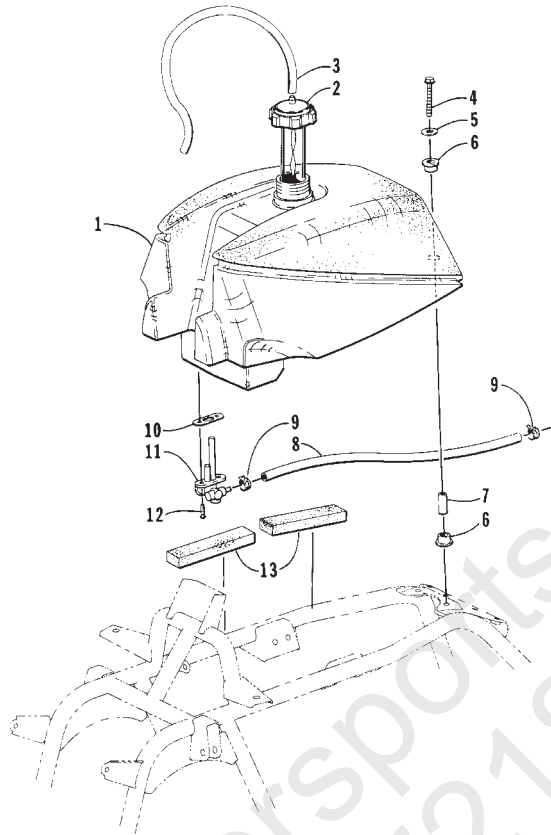
Ref. Part No.	Qty.	Description	Ref. Part No.	Qty.	Description
1	0502-021	1 Brake, Lever - Assembly (inc. 2-14)	9	*	1 ● Master Cylinder
2	0402-049	1 ● Lever, Brake	10	0623-432	2 ● Screw, Reservoir Mount
3	0623-430	1 ● Bolt, Lever Mounting	11	0623-056	1 ● Nut, Lock
4	0623-506	2 ● Screw, Cover - Master Cylinder	12	8052-212	2 ● Washer, Lock
5	0602-742	1 ● Cover, Master Cylinder	13	0623-613	2 ● Screw, Clamp
6	0602-741	1 ● Gasket, Cover - Master Cylinder	14	0602-907	1 ● Clamp
7	0602-740	1 ● Reservoir, Hydraulic Brake	15	0402-050	1 Hose, Master Cylinder
8	0602-587	1 ● O-Ring, Reservoir	16	8408-625	1 Screw, Cap



## HYDRAULIC BRAKE ASSEMBLY

0732-339 \* Not a Service Part

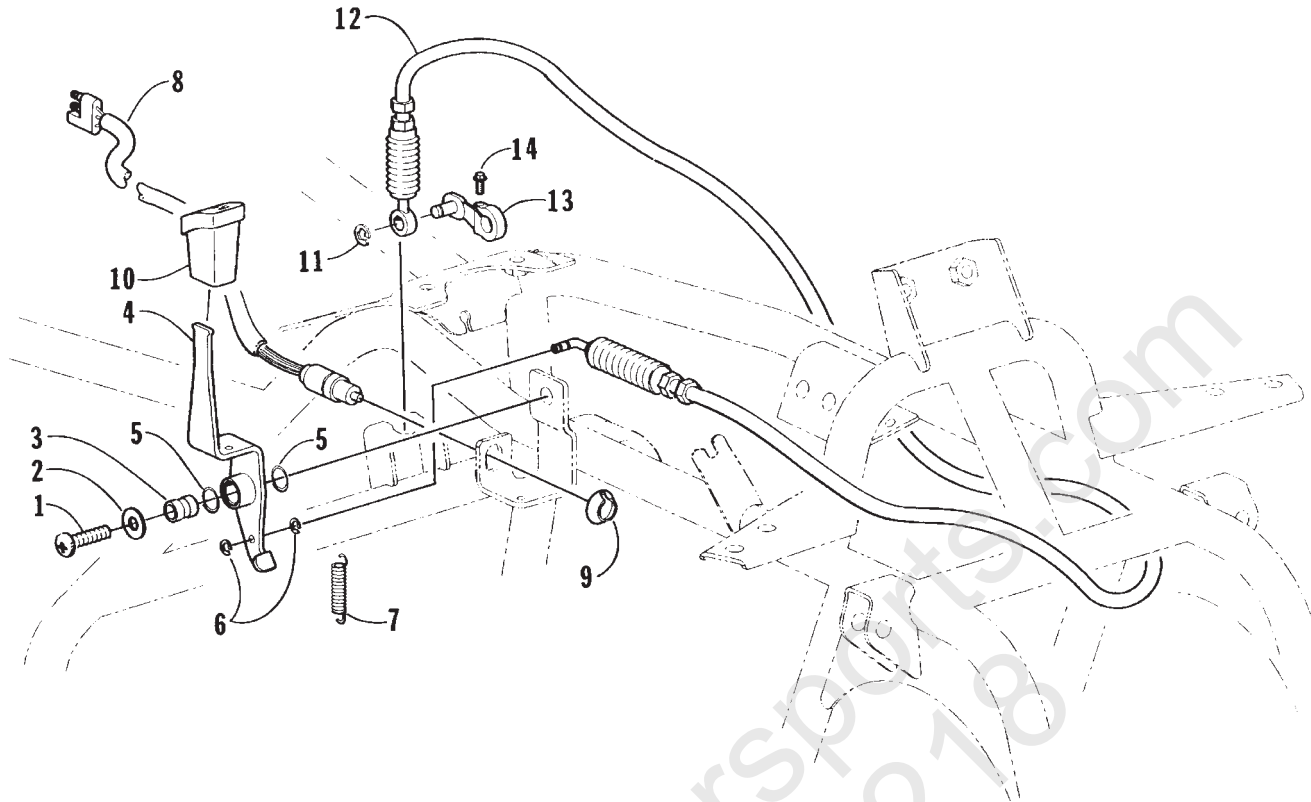
Ref.	Part No.	Qty.	Description	Ref.	Part No.	Qty.	Description
1	0402-053	1	Tube, Brake Line - Front	11	0402-143	3	• Cap, Bleeder Valve
2	0402-051	1	Hose, Brake - Front	12	0502-019	1	• Pad, Hydraulic Brake - Set
3	0402-073	2	Block, Mounting	13	0402-167	3	• Valve, Bleeder
4	0423-038	3	Bolt, Oil	14	0402-141	6	• O-Ring, Hydraulic Brake Caliper
5	0423-039	6	Washer, Crush	15	0402-165	6	• Washer
6	0402-010	1	Caliper, Brake - Right Front (inc. 7-13 and two No. 14-16)	16	0402-166	6	• Screw, Socket Head
	0402-011	1	Caliper, Brake - Left Front and Rear (inc. 7-13 and two No. 14-16)	17	0402-052	1	Hose, Brake - Rear
7	*	3	• Housing, Caliper	18	0402-115	1	Clip, Brake Line
8	0402-164	3	• O-Ring	19	0402-054	1	Tube, Brake Line - Rear
9	0117-868	3	• Pin, Cotter	20	8408-625	1	Screw, Cap
10	0402-142	3	• Pin, Hydraulic Brake Caliper	21	8408-825	2	Screw, Cap
				22	8408-820	4	Screw, Cap



## FUEL TANK ASSEMBLY

0732-346 \* Not a Service Part

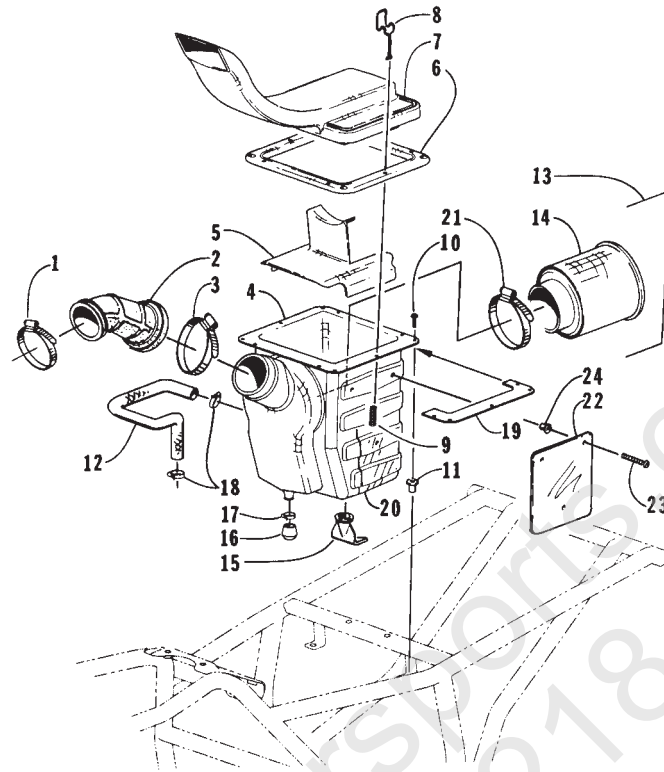
Ref.	Part No.	Qty.	Description	Ref.	Part No.	Qty.	Description
1	0570-003	1	Tank, Fuel (inc. 2 and 6-9)	8	0610-007	AR	Line, Fuel
2	0470-315	1	• Cap, Fuel Tank (inc. 3)	9	0423-048	2	Clamp, Hose - Spring
3	0610-007	AR	• Line, Fuel Cap Vent	10	*	1	Gasket, Fuel
4	8408-650	2	Screw, Cap	11	0470-314	1	Valve, Shut-Off (inc. 10)
5	0623-184	2	Washer	12	8471-616	2	Screw, Cap
6	0406-169	4	Bushing, Fuel Tank Mount	13	0417-001	4	Pad, Fuel Tank
7	0406-170	2	Collar, Fuel Tank Mount				



## REVERSE SHIFT LEVER ASSEMBLY

0732-334

Ref.	Part No.	Qty.	Description	Ref.	Part No.	Qty.	Description
1	8477-830	1	Screw, Cap	8	0409-008	1	Reverse Switch
2	8050-252	1	Washer	9	0402-130	1	Retainer, Switch
3	0402-103	1	Axle, Reverse Shifter	10	0402-062	1	Knob, Reverse Shift Lever
4	0502-022	1	Lever, Reverse	11	3423-168	1	E-Ring
5	0423-069	2	O-Ring	12	0487-003	1	Cable, Shift
6	0423-063	2	E-Ring	13	3446-005	1	Arm, Reverse Gear Shift
7	0402-136	1	Spring, Reverse Lever	14	8408-616	1	Screw, Cap

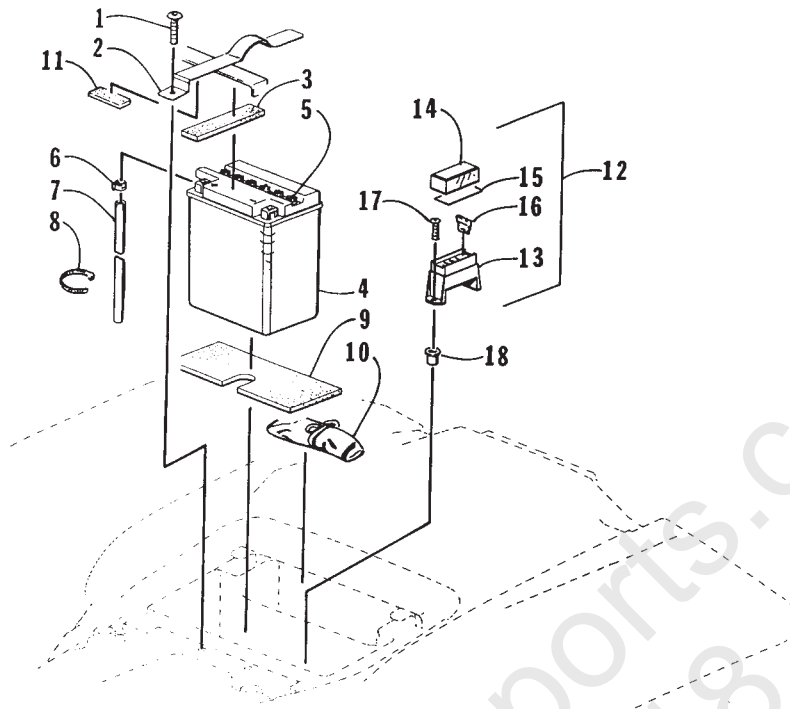


### AIR INTAKE ASSEMBLY

0732-810

Ref.	Part No.	Qty.	Description	Ref.	Part No.	Qty.	Description
1	0423-066	1	Clamp	11	0123-010	4	Nut, Expansion
2	0470-305	1	Boot, Air Cleaner	12	0410-004	1	Hose, Crankcase Vent
3	0423-018	2	Clamp	13	0470-322	1	Filter, Air Cleaner (inc. 14)
4	0570-007	1	Cleaner, Air - Lower Assembly	14	0470-332	1	• Sleeve, Filter
5	0470-328	1	Baffle, Splash - Air Cleaner	15	0470-309	1	Valve, Air Cleaner
6	0470-324	1	Gasket, Air Cleaner	16	0470-333	1	Cap, Drain - Air Cleaner
7	0470-334	1	Snorkel, Air Cleaner	17	0423-071	1	Clamp, Hose
8	0470-307	4	Clamp, Air Cleaner	18	0423-045	2	Clamp, Hose - Spring
9	0423-037	4	Spring, Air Cleaner	19	0470-327	2	Support, Air Cleaner Flange
10	0123-549	4	Screw, Machine	20	0706-990	AR	Foil

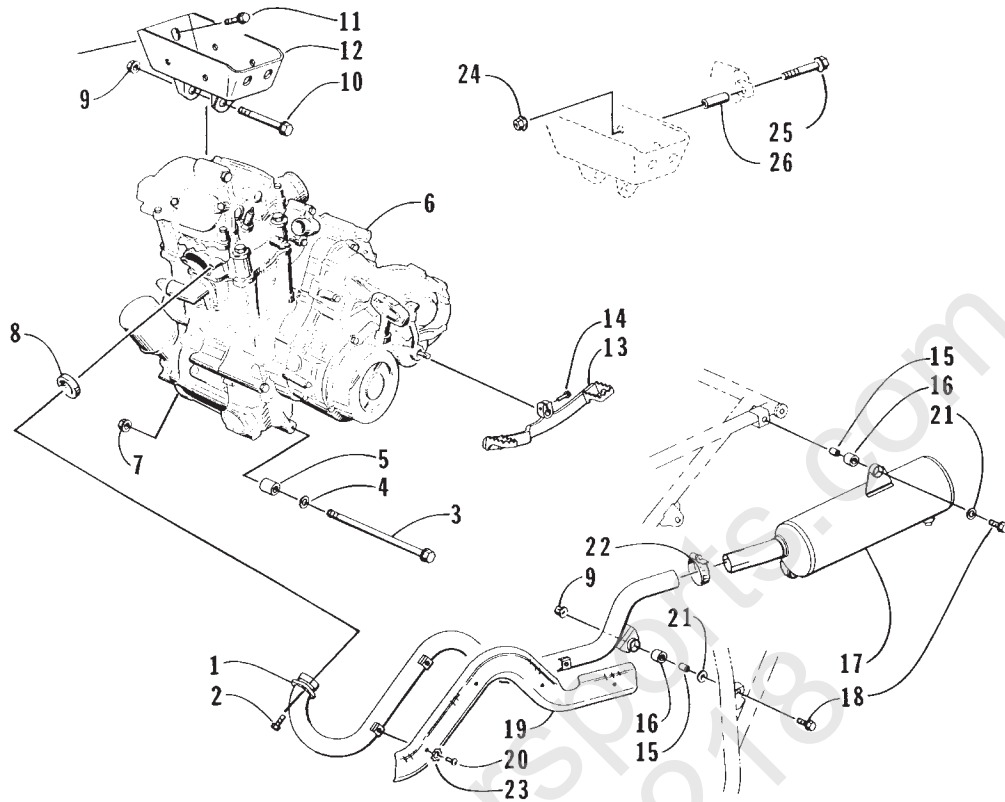




## BATTERY ASSEMBLY

0732-925 \* Not a Service Part

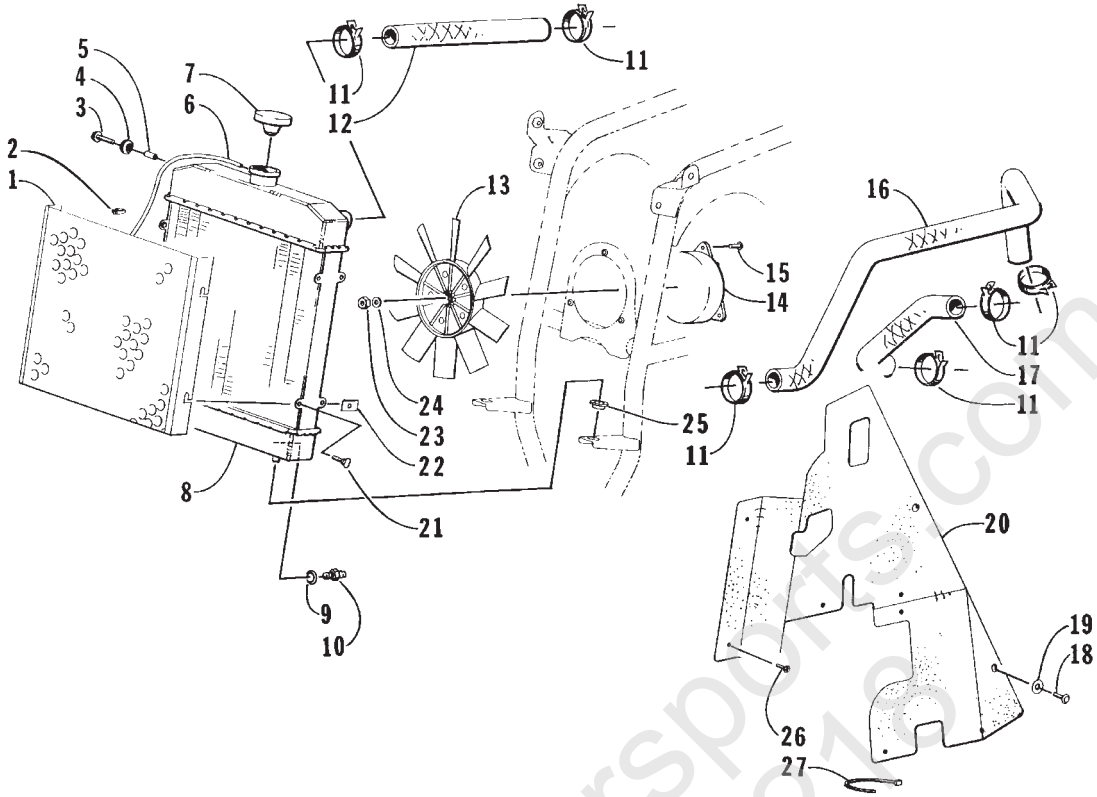
Ref. Part No.	Qty.	Description	Ref. Part No.	Qty.	Description		
1	8477-616	1	Screw, Cap	11	0406-289	2	Pad, Battery - Upper Rear
2	0506-178	1	Strap, Battery - w/Pads (inc. 3 and 30)	12	0530-001	1	Fuse Box - Assembly (inc. 13-16)
3	0406-288	2	• Pad, Battery - Upper Front	13	*	1	• Block, Fuse
4	0445-005	1	Battery - Assembly (inc. 5-7)	14	*	1	• Lid, Fuse Block
5	0645-045	6	• Cap, Battery	15	0411-042	1	• Decal, Fuse Block
6	0645-152	1	• Clamp, Hose	16	0630-057	3	• Fuse, 10AMP
7	0645-179	1	• Hose, Battery Vent		0630-058	2	• Fuse, 15AMP
8	0123-788	AR	Tie, Cable	17	0623-121	6	Screw, Machine
9	0406-227	1	Pad, Battery - Lower	18	0123-010	2	Nut, Expansion
10	0444-001	1	Kit, Tool				



## ENGINE AND EXHAUST

0732-348

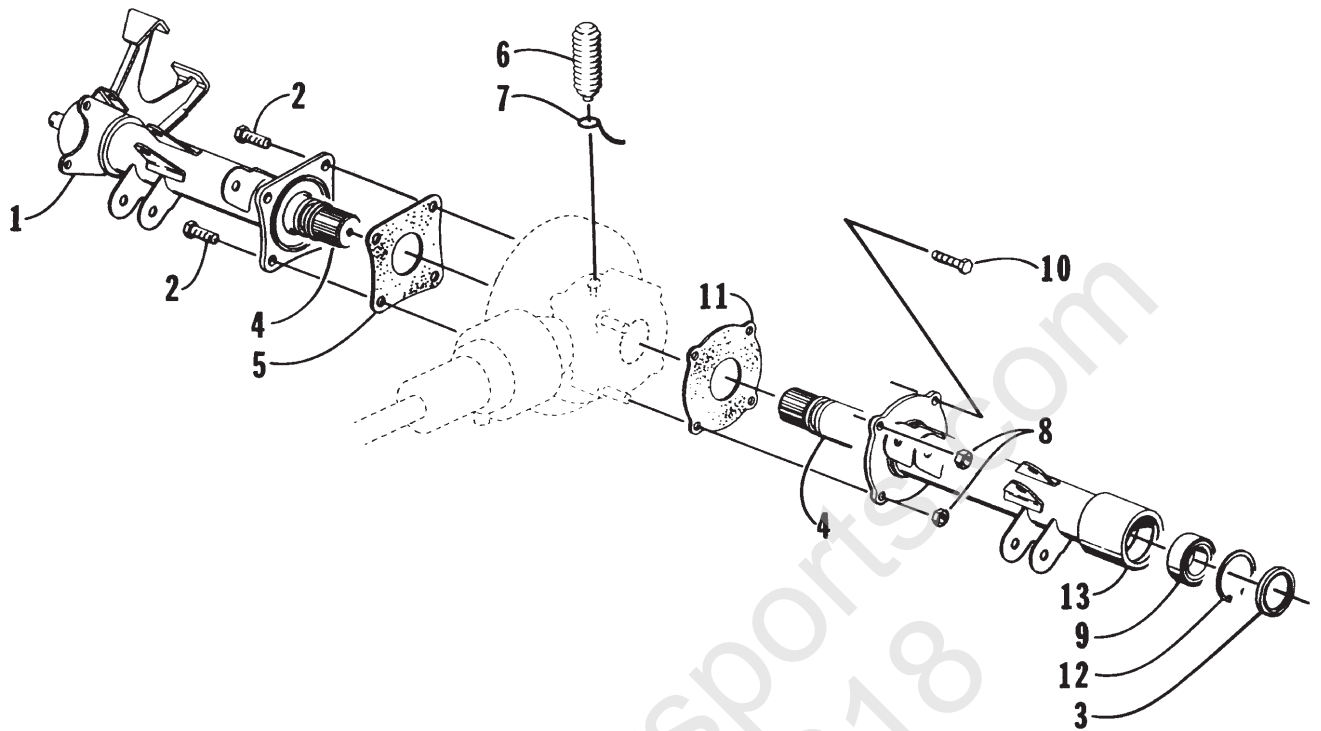
Ref.	Part No.	Qty.	Description	Ref.	Part No.	Qty.	Description
1	0512-001	1	Pipe, Exhaust	14	8408-620	1	Screw, Cap
2	8408-820	2	Screw, Cap	15	0412-003	3	Spacer, Exhaust
3	3423-003	3	Screw, Cap	16	0412-004	3	Bushing, Rubber
4	0423-050	3	Washer, Motor	17	0412-005	1	Muffler
5	0423-042	1	Spacer, Engine	18	8408-830	3	Screw, Cap
6	0462-004	1	Engine	19	0406-224	1	Cover, Exhaust
7	8428-002	3	Nut, Lock	20	8477-610	4	Screw, Machine
8	0412-007	1	Seal, Exhaust	21	8050-252	3	Washer
9	8424-802	2	Nut, Jam	22	0214-015	1	Clamp
10	8408-860	1	Screw, Cap	23	8053-211	4	Washer, Star
11	8408-816	4	Screw, Cap	24	8424-602	2	Nut
12	0506-083	1	Bracket, Upper Motor	25	8408-640	2	Screw, Cap
13	0502-016	1	Lever, Shift	26	0107-630	2	Spacer



## COOLING ASSEMBLY

0732-738

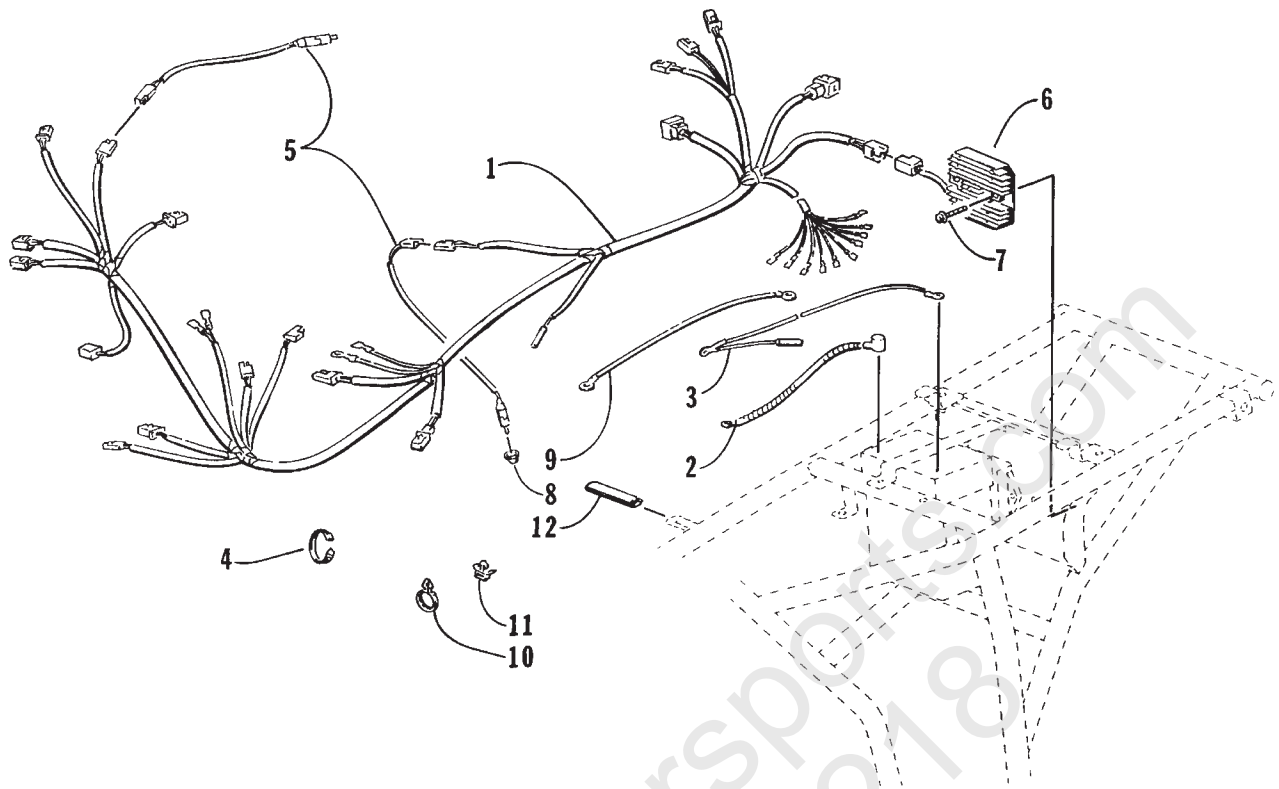
Ref. Part No.	Qty.	Description	Ref. Part No.	Qty.	Description
1	1	Screen, Radiator	15	3	Screw, Machine
2	2	Clamp, Wire	16	1	Hose, Coolant - Lower
3	2	Screw, Cap	17	1	Hose, Coolant - Crossover
4	2	Grommet	18	8	Screw, Machine
5	2	Collar	19	8	Washer, Shoulder
6	AR	Hose - 25 ft	20	2	Panel, Fender - Inner
7	1	Cap, Radiator	21	4	Screw, Thumb
8	1	Radiator - Assembly (inc. 1, 4, 9-10 and 21)	22	4	Nut, Speed
9	1	● O-Ring	23	1	Nut, Jam - Left
10	1	● Switch, Temperature Sensor	24	1	Washer
11	6	Clamp, Hose	25	2	Bushing, Stem
12	1	Hose, Coolant - Upper	26	4	Screw, Machine
13	1	Blade, Fan	27	8	Tie, Cable
14	1	Motor, Fan			



## REAR AXLE ASSEMBLY

0732-927

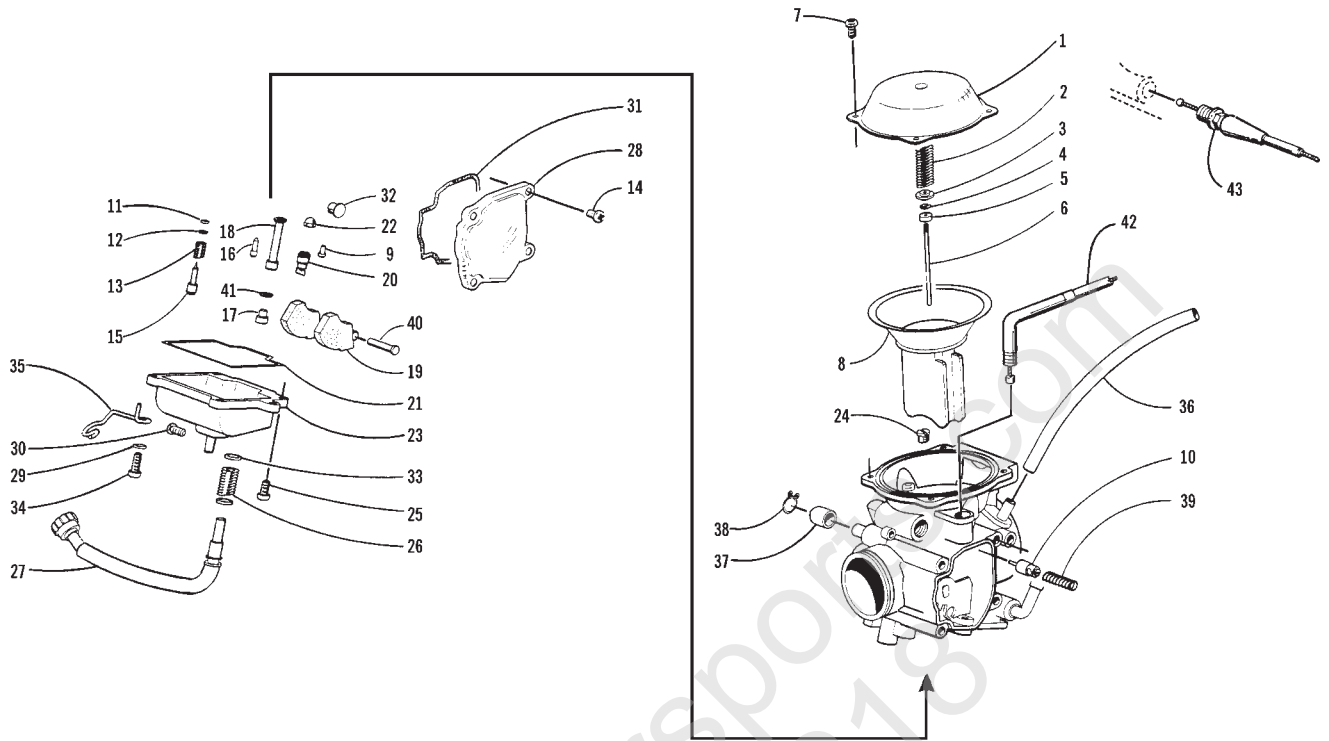
Ref.	Part No.	Qty.	Description	Ref.	Part No.	Qty.	Description
1	0502-018	1	Housing, Axle - Rear Right	8	8428-002	2	Nut, Jam
2	8409-025	3	Screw, Cap	9	0402-003	2	Bearing, Wheel Hub - Rear
3	0402-068	2	Seal	10	8408-830	2	Screw, Cap
4	0402-145	2	Axle - Rear	11	0402-138	1	Gasket, Rear Axle
5	0402-139	1	Gasket, Rear Axle	12	0423-033	2	C-Clip
6	3008-100	1	Bladder, Case	13	0502-005	1	Housing, Axle - Rear Left
7	0123-811	1	Tie, Cable				



## WIRING HARNESS ASSEMBLY

0732-928

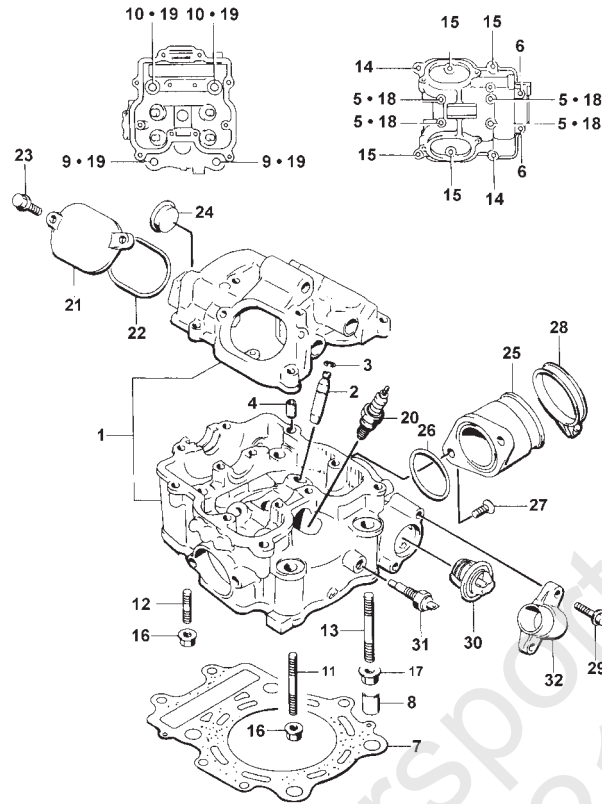
Ref.	Part No.	Qty.	Description	Ref.	Part No.	Qty.	Description
1	0486-007	1	Harness, Main	7	8408-620	2	Screw, Cap
2	0445-003	1	Cable, Battery/Electric Start Relay	8	0402-130	1	Retainer, Switch
3	0445-002	1	Cable, Battery/Ground	9	0445-004	1	Cable, Battery/Electric Start
4	0123-788	AR	Tie, Cable	10	0623-454	3	Clip, Snap In
5	0409-009	1	Switch, Brake - Assembly	11	0423-065	1	Base, Wire Tie
6	3430-016	1	Regulator, Voltage	12	0423-067	1	Tube, Loom



**CARBURETOR**  
(Complete Assembly p/n 0470-317)

0732-351

Ref.	Part No.	Qty.	Description	Ref.	Part No.	Qty.	Description
1	4505-001	1	Cover - Assembly	23	4505-023	1	Chamber, Float
2	4505-002	1	Spring	24	4505-024	1	Jet, Pilot
3	4505-003	1	Ring	25	4505-025	5	Screw
4	4505-004	1	E-Ring	26	4505-026	1	Spring
5	4505-005	1	Ring	27	4505-027	1	Cable Adjust - Assembly
6	4505-020	1	Jet Needle 5D40-4	28	4505-028	1	Cover
7	4505-007	4	Screw	29	4505-029	1	Washer
8	4505-008	1	Diaphragm	30	4505-030	1	Screw
9	4505-009	1	Screw	31	4505-031	1	O-Ring
10	4505-010	1	Plunger - Assembly	32	4505-032	1	Guide, Cable
11	4505-011	1	O-Ring	33	4505-033	2	Washer
12	4505-012	1	Washer	34	4505-042	1	Screw
13	4505-013	1	Spring	35	4505-043	1	Clip
14	4505-014	4	Screw	36	4505-035	2	Hose
15	4505-016	1	Screw, Pilot	37	4505-036	1	Cap
16	4505-017	1	Jet, Pilot 40	38	4505-037	1	Clip
17	4505-019	1	Jet, Main 142.5	39	4505-039	1	Spring
18	4505-006	1	Needle Jet P-7	40	6505-153	1	Pin
19	4505-021	1	Float - Assembly	41	6505-006	1	Washer
20	4505-022	1	Seat, Valve 2.0 (With Needle)	42	0487-001	1	Cable, Throttle
21	4505-044	1	O-Ring, Bowl	43	0487-002	1	Cable, Choke
22	4505-045	1	Filter				

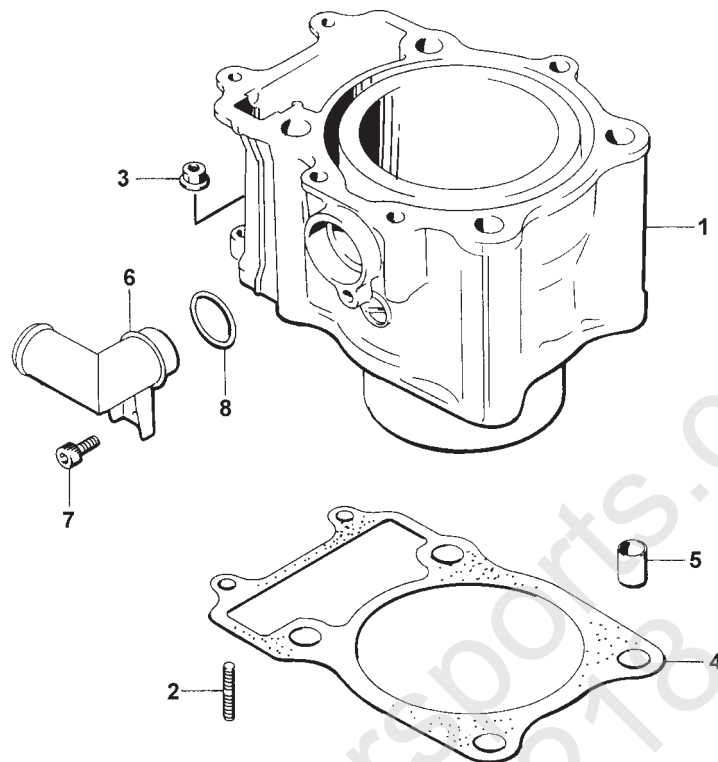


## CYLINDER HEAD ASSEMBLY

(Complete Gasket Set p/n 3402-107)

0732-300 \*Not Illustrated

Ref.	Part No.	Qty.	Description	Ref.	Part No.	Qty.	Description
1	3402-098	1	Head, Cylinder - Assembly (inc. 2-6)	18	3003-290	4	Gasket
2	3402-099	4	● Guide, Valve	19	3402-010	4	Gasket, Head Nut
3	3423-068	4	● Circlip	20	0217-705	1	Spark Plug (NGK CR8E)
4	3423-043	2	● Pin	21	3402-100	2	Cap, Inspection
5	3423-006	4	● Screw, Cap	22	3402-101	2	O-Ring
6	3008-376	2	● Screw, Cap	23	3004-341	4	Screw, Cap
7	3402-163	1	Gasket, Cylinder Head	24	3402-035	1	Plug, Cylinder Head
8	3423-088	2	Pin	25	3402-149	1	Pipe, Intake - Assembly (inc. 26)
9	3423-015	2	Screw, Cap	26	3423-062	1	● O-Ring
10	3423-016	2	Screw, Cap	27	3423-019	2	Screw, Cap
11	3423-089	2	Screw, Cylinder Head Stud	28	3402-086	1	Clamp
12	3423-087	2	Screw, Cylinder Head Stud	29	3004-341	2	Screw, Cap
13	3423-203	1	Bolt, Stud	30	3413-005	1	Thermostat
14	3423-007	2	Screw, Cap	31	3530-005	1	Switch, Water Temp - Assembly
15	3004-376	4	Screw, Cap	32	3413-004	1	Cover, Thermostat
16	3004-488	4	Nut	33	3402-048	1	Plug, Frost*
17	3004-326	1	Nut				

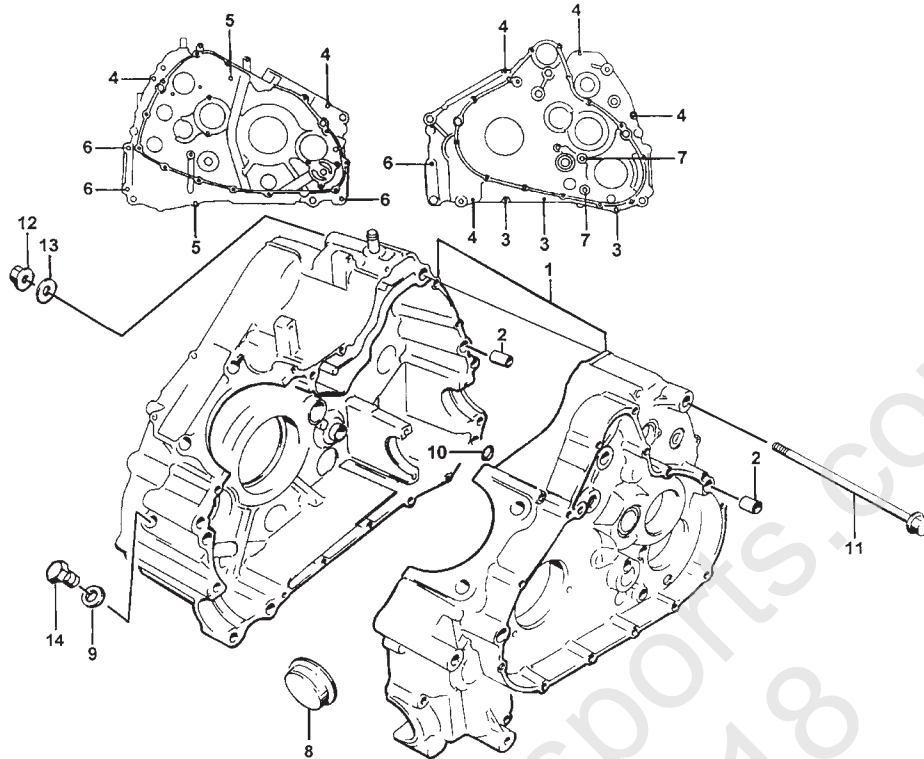


## CYLINDER ASSEMBLY

0732-301

Ref.	Part No.	Qty.	Description	Ref.	Part No.	Qty.	Description
1	3402-102	1	Cylinder	5	3423-088	2	Pin
2	3423-090	2	Bolt, Stud	6	3413-006	1	Union, Water Hose
3	3004-488	2	Nut	7	3423-121	1	Screw, Cap
4	3402-103	1	Gasket, Cylinder	8	3423-058	1	O-Ring

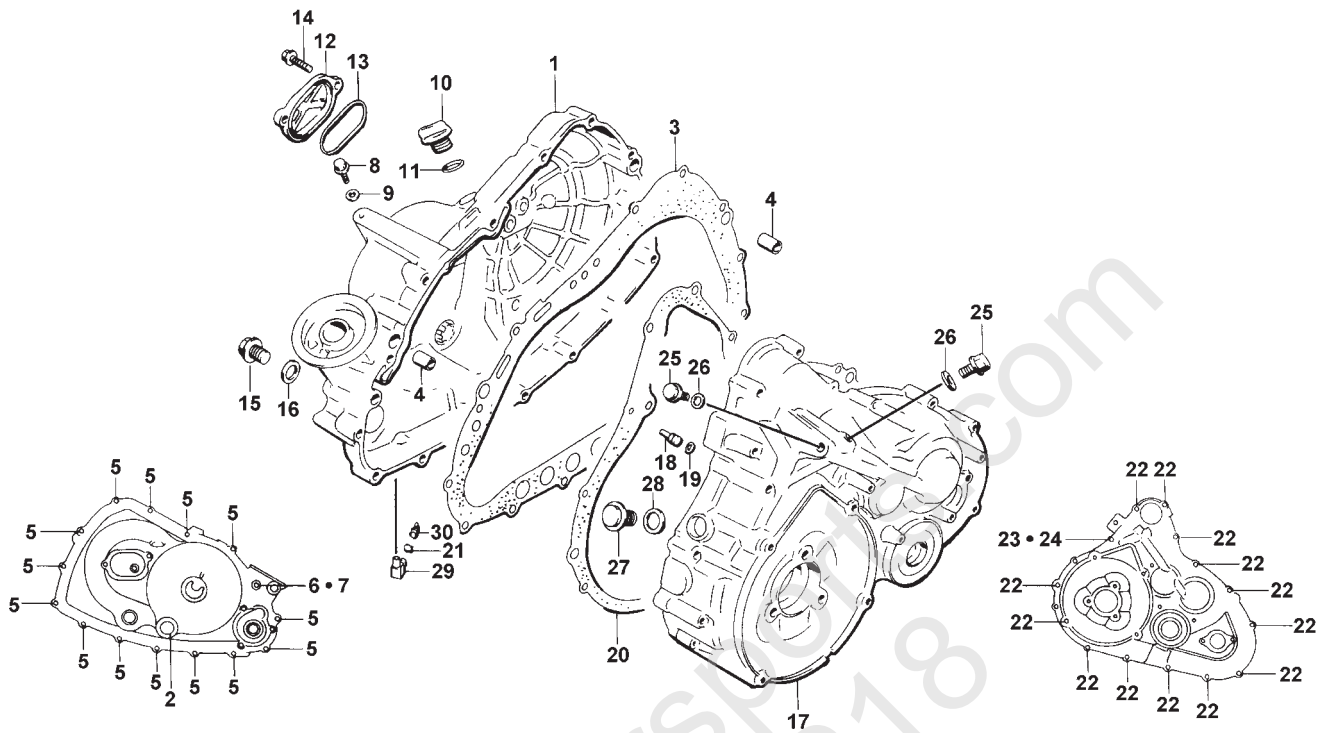




## CRANKCASE ASSEMBLY

0732-935

Ref.	Part No.	Qty.	Description	Ref.	Part No.	Qty.	Description
1	3402-196	1	Crankcase Set (inc. 2-8)	8	3423-208	1	● Plug
2	3423-088	4	● Pin	9	3402-011	1	Gasket
3	3423-091	3	● Screw, Cap	10	3423-052	1	O-Ring
4	3423-092	6	● Screw, Cap	11	3423-009	3	Screw, Cap
5	3423-094	2	● Screw, Cap	12	3423-024	3	Nut
6	0693-303	4	● Screw, Cap	13	3004-363	3	Washer
7	3423-093	2	● Screw, Cap	14	3423-095	1	Plug, Oil Gallery

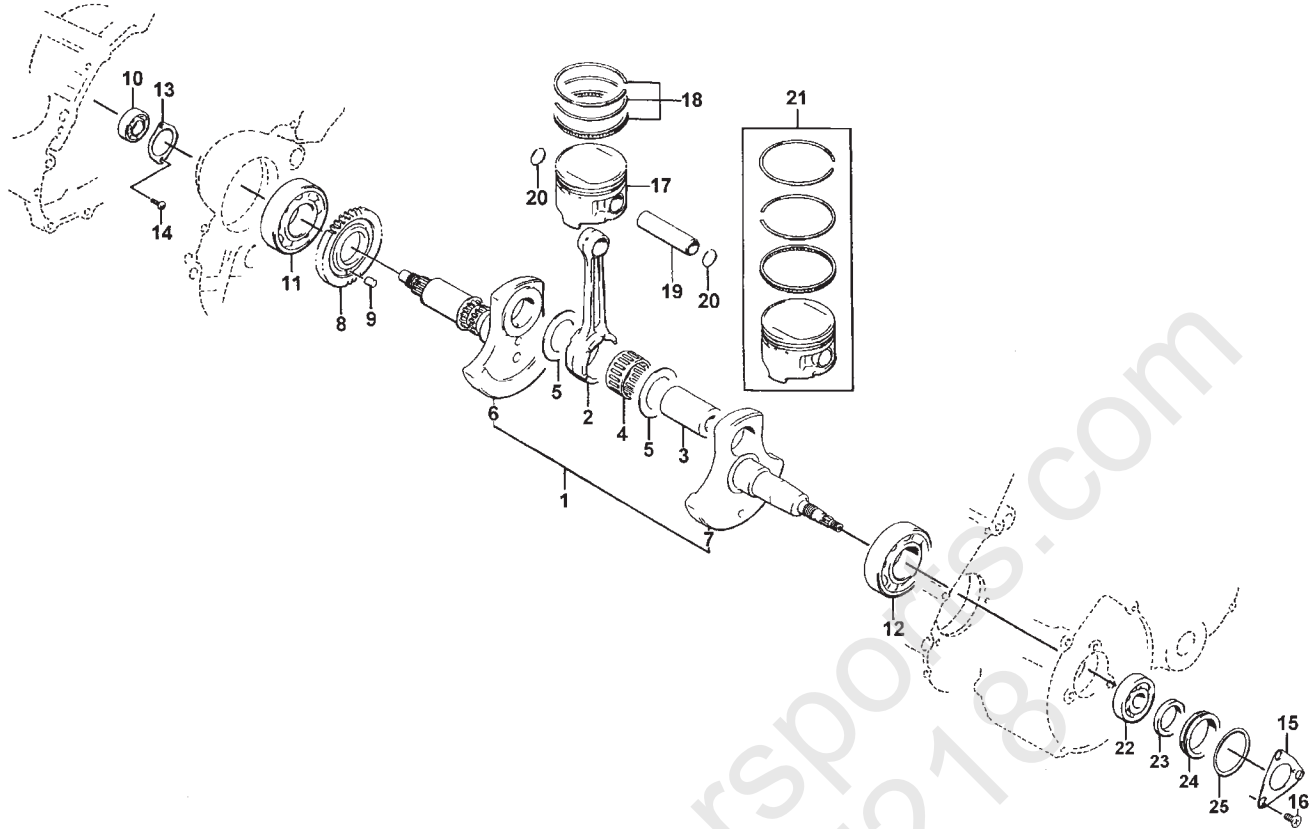


## CRANKCASE COVER ASSEMBLY

0732-303

Ref.	Part No.	Qty.	Description	Ref.	Part No.	Qty.	Description
1	3402-199	1	Cover, Clutch (inc. 2)	16	3402-012	1	Gasket
2	3402-112	1	● Lens, Oil Inspection	17	3402-106	1	Cover Set, Transfer (inc. 18-19)
3	3402-108	1	Gasket	18	3402-097	1	● Jet, Oil Mission
4	3423-088	2	Pin	19	3423-051	1	● O-Ring
5	0693-327	14	Screw, Cap	20	3402-109	1	Gasket
6	3423-097	1	Screw, Cap	21	3423-120	1	Clip
7	3003-290	1	Gasket	22	3423-098	13	Screw, Cap
8	3004-339	1	Plug, Oil Gallery	23	3423-092	1	Screw, Cap
9	3402-009	1	Gasket	24	3003-290	1	Gasket
10	3402-042	1	Cap, Engine Oil Filler	25	3004-705	2	Plug, Oil Gallery
11	3423-055	1	O-Ring	26	3003-188	2	Gasket
12	3402-100	1	Cap, Inspection	27	3402-192	1	Plug
13	3402-101	1	O-Ring	28	3402-013	1	Gasket
14	3423-096	2	Screw, Cap	29	3413-009	1	Union, Water Drain
15	3402-037	1	Plug, Oil Pressure	30	3413-008	1	Hose

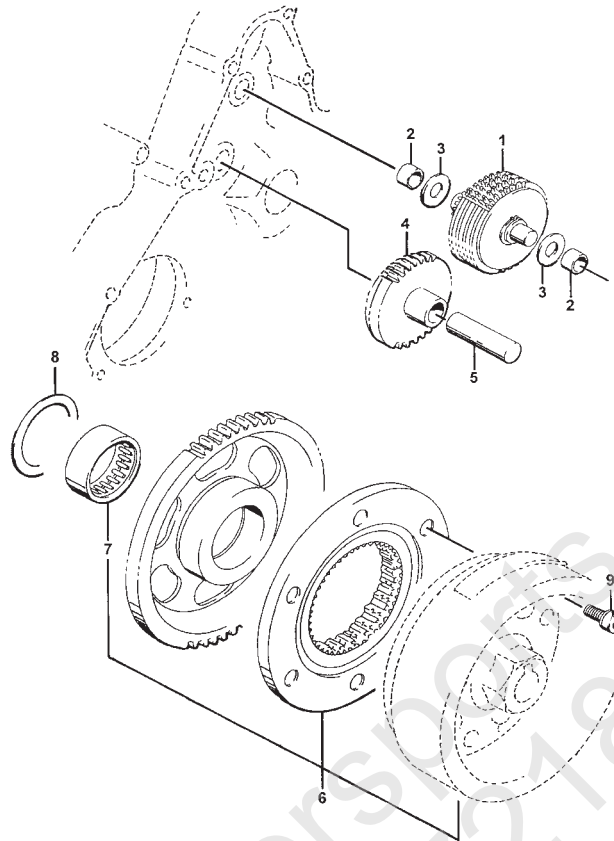
BEARCAT ATV 2 X 4



**CRANKSHAFT ASSEMBLY**

0732-304 \* Not a Service Part \*\* Not Illustrated

Ref.	Part No.	Qty.	Description	Ref.	Part No.	Qty.	Description
1	3402-115	1	Crankshaft - Assembly (inc. 2-7)	16	3423-018	3	Screw, Cap
2	3402-111	1	• Rod, Connecting	17	3402-113	1	Piston
3	3402-116	1	• Pin, Crank	18	3402-114	1	Ring Set, Piston
4	3402-064	1	• Bearing	3436-007	1	Ring Set (+0.020 in.)	
5	3423-030	2	• Washer	3436-008	1	Ring Set (+0.040 in.)	
6	3402-193	1	• Crankshaft Set - Right (inc. 8-9)	19	3402-110	1	Pin
7	3402-118	1	• Crankshaft - Left	20	3423-069	2	Circlip
8	*	1	Gear, Balancer Drive	21	3436-002	1	Piston Set (+0.020 in.)
9	*	1	Pin	3436-003	1	Piston Set (+0.040 in.)	
10	3402-044	1	Bearing - Right	22	3402-051	1	Bearing
11	3402-058	1	Bearing - Center	23	3402-070	1	Seal, Oil
12	3402-054	1	Bearing - Left	24	3402-119	1	Spacer
13	3402-120	1	Retainer, Bearing - Right	25	3423-063	1	O-Ring
14	3423-017	2	Screw, Cap	26	3436-007	1	Ring Set (+0.020 in.) **
15	3402-188	1	Retainer, Oil Seal - Left	27	3436-008	1	Ring Set (+0.040 in.) **

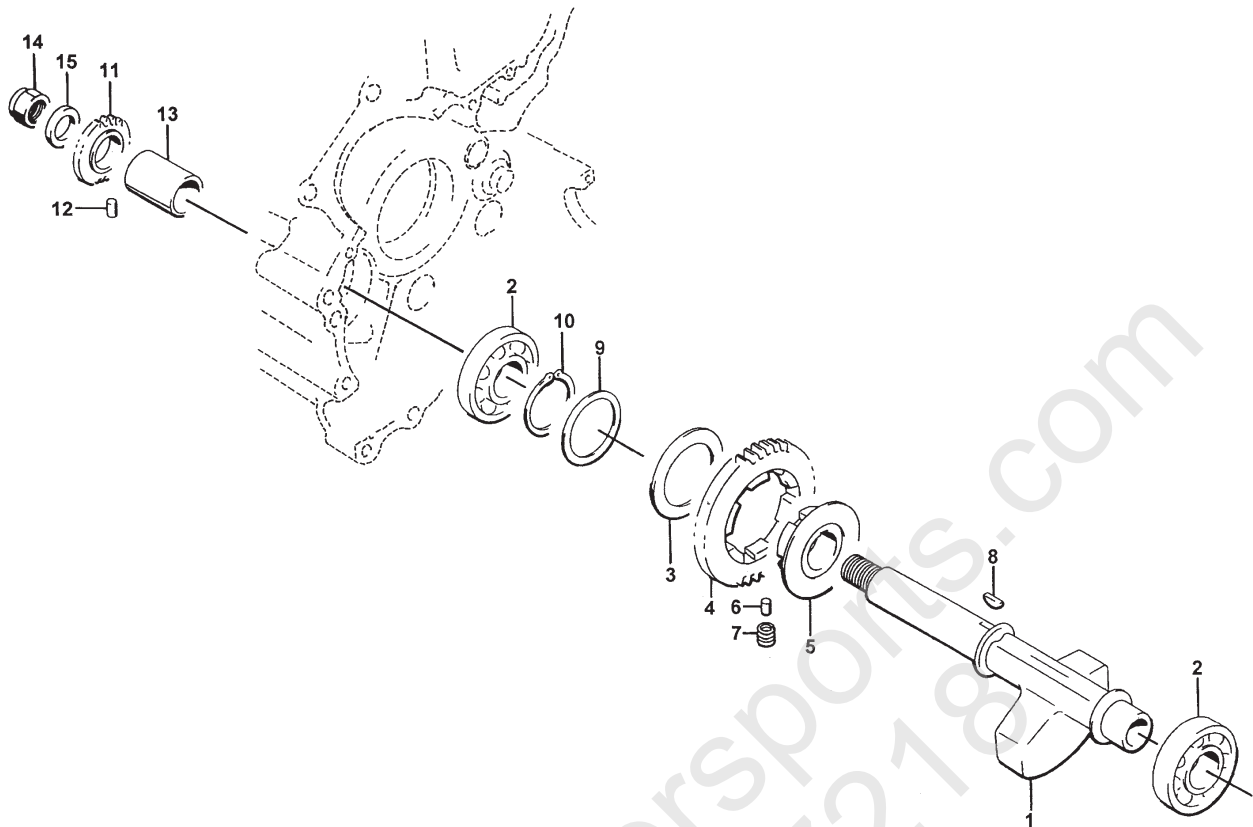


## STARTER CLUTCH ASSEMBLY

0732-305

Ref.	Part No.	Qty.	Description	Ref.	Part No.	Qty.	Description
1	3402-123	1	Limiters, Idle Gear - Assembly	6	3402-122	1	Clutch, Starter - Set (inc. 7)
2	3402-125	2	Bushing	7	3402-063	1	• Bearing
3	3423-103	2	Washer	8	3423-104	1	Washer
4	3402-124	1	Gear, Starter Idle	9	3423-102	6	Screw, Cap
5	3423-042	1	Pin				

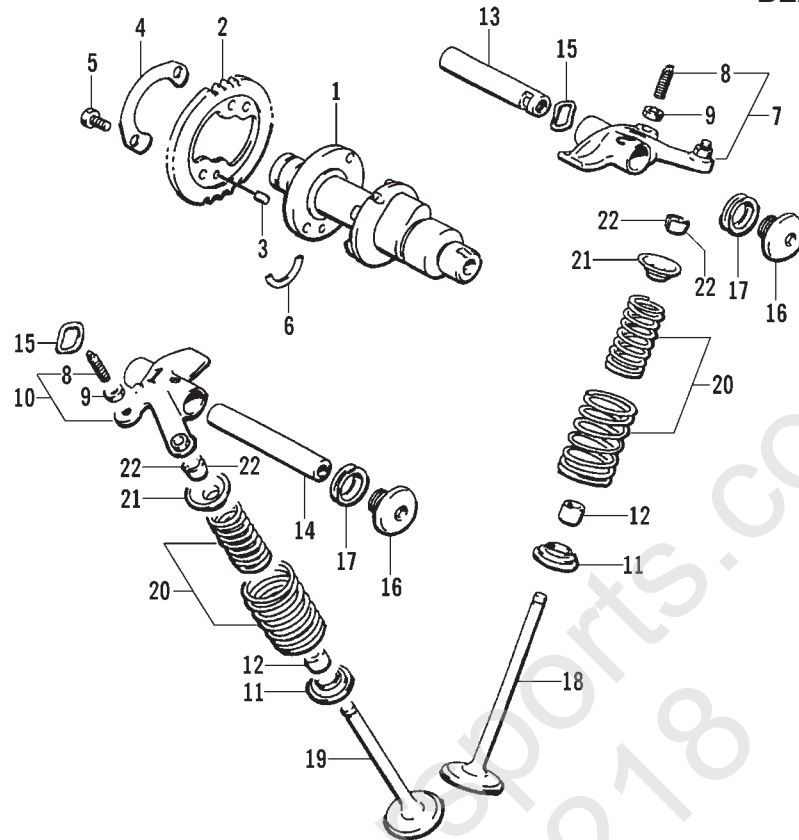
BEARCAT ATV 2 X 4



**CRANK BALANCER ASSEMBLY**

0732-306

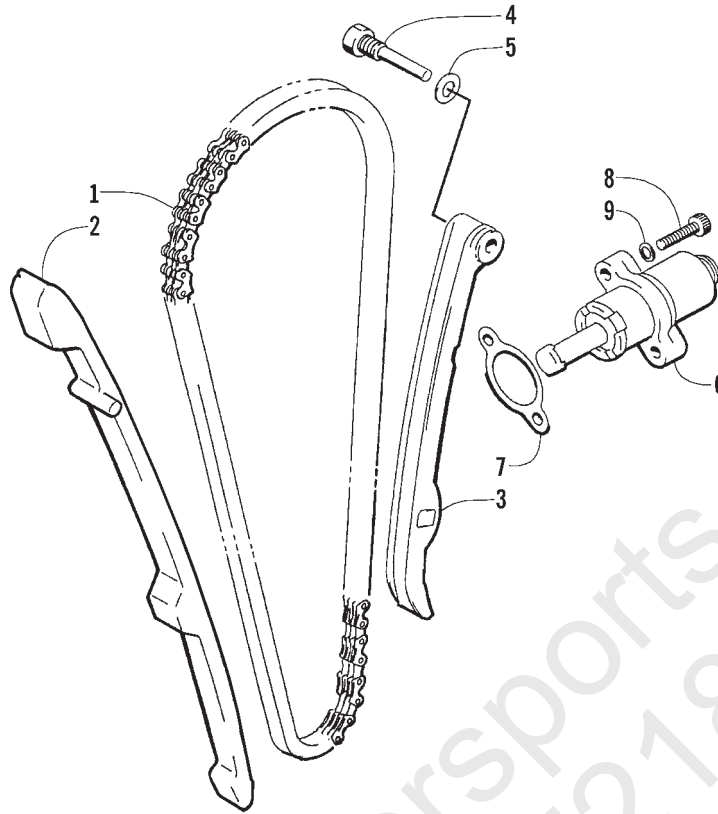
Ref.	Part No.	Qty.	Description	Ref.	Part No.	Qty.	Description
1	3402-126	1	Balancer, Crank	9	3423-107	1	Washer
2	3402-050	2	Bearing	10	3423-200	1	Circlip
3	3423-033	1	Washer	11	3402-150	1	Gear, Oil Pump Drive
4	3402-128	1	Gear, Driven	12	3423-114	1	Pin
5	3402-129	1	Race, Driven Gear Inner	13	3402-151	1	Spacer
6	3423-106	3	Pin	14	3423-025	1	Nut
7	3402-090	6	Spring	15	3423-029	1	Washer
8	3004-540	1	Key				



## CAM SHAFT VALVE ASSEMBLY

0732-307

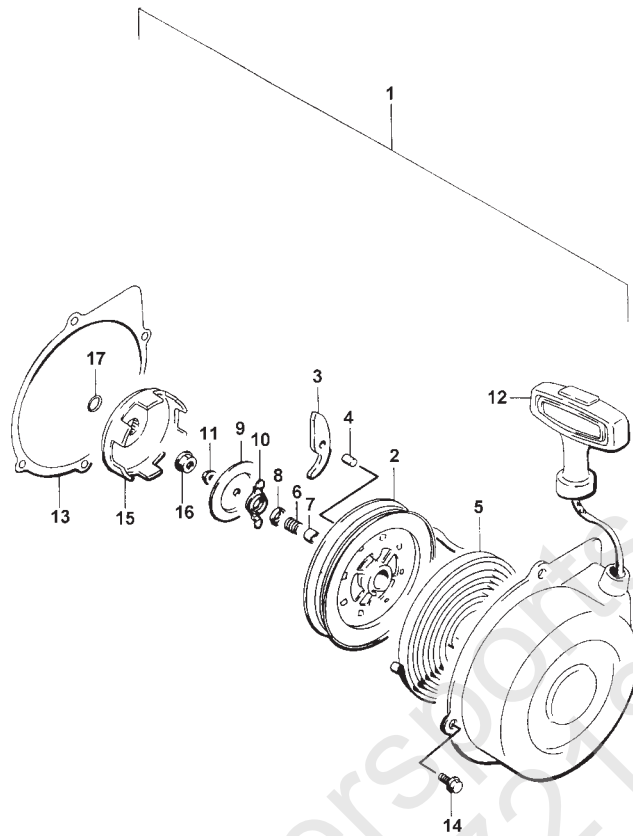
Ref.	Part No.	Qty.	Description	Ref.	Part No.	Qty.	Description
1	3402-130	1	Cam Shaft	12	3402-078	4	Seal, Oil
2	3402-131	1	Sprocket	13	3402-140	1	Shaft, Rocker Arm
3	3423-047	1	Pin	14	3402-141	1	Shaft, Rocker Arm
4	3423-073	1	Washer	15	3423-031	2	Washer
5	3423-013	2	Screw, Cap	16	3402-040	2	Plug, Shaft
6	3423-071	1	C-Ring	17	3402-012	2	Gasket
7	3402-138	1	Arm, Valve Rocker (inc. 8-9)	18	3402-142	2	Valve, Intake
8	3423-075	2	• Screw, Cap	19	3402-143	2	Valve, Exhaust
9	3423-076	2	• Nut	20	3402-144	4	Spring, Valve - Set
10	3402-139	1	Arm, Valve Rocker (inc. 8-9)	21	3402-146	4	Retainer, Spring
11	3402-148	4	Seat, Spring	22	3402-147	8	Cotter, Valve



### CAM CHAIN ASSEMBLY

0732-308

Ref.	Part No.	Qty.	Description	Ref.	Part No.	Qty.	Description
1	3402-133	1	Chain, Cam	6	3402-136	1	Adjuster, Tensioner - Assembly
2	3402-134	1	Guide, Chain	7	3402-137	1	Gasket
3	3402-135	1	Tensioner, Chain	8	3004-475	2	Screw, Cap
4	3423-074	1	Screw, Cap	9	3003-290	2	Gasket
5	3003-188	1	Washer				

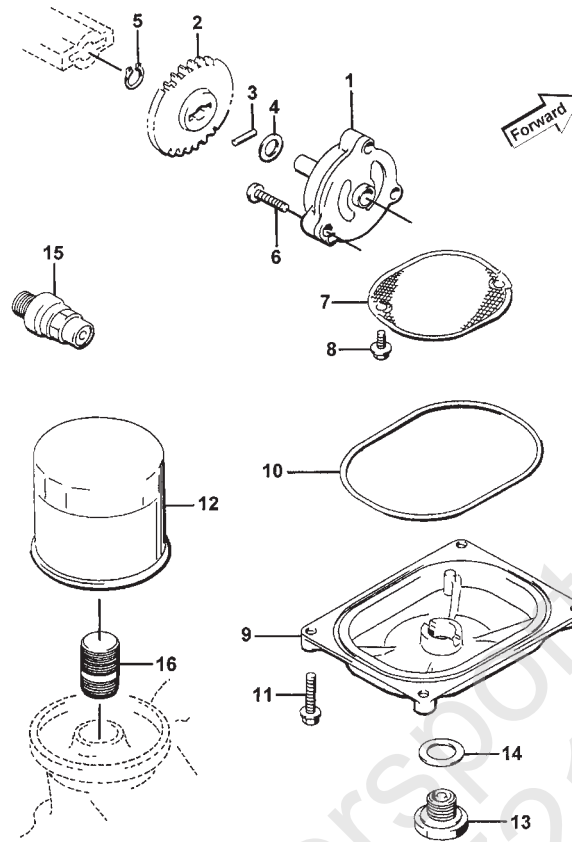


## RECOIL STARTER ASSEMBLY

0732-309 \* Not a Service Part

Ref.	Part No.	Qty.	Description	Ref.	Part No.	Qty.	Description
1	3445-003	1	Starter, Recoil - Assembly (inc. 2-12)	10	*	1	● Guide, Ratchet
2	3445-004	1	● Reel	11	3004-488	1	● Nut
3	3445-016	1	● Ratchet Assembly (inc. 4 and 6-10)	12	3445-011	1	● Rope - Assembly
4	*	1	● Pin, Ratchet	13	3445-013	1	Gasket
5	3445-007	1	● Spring, Spiral	14	3423-112	6	Screw, Cap
6	*	1	● Spring, Friction	15	3445-015	1	Cup, Starter
7	*	1	● Shaft	16	3004-491	1	Nut
8	*	1	● Cover, Spring	17	3423-053	1	O-Ring
9	*	1	● Plate, Friction				

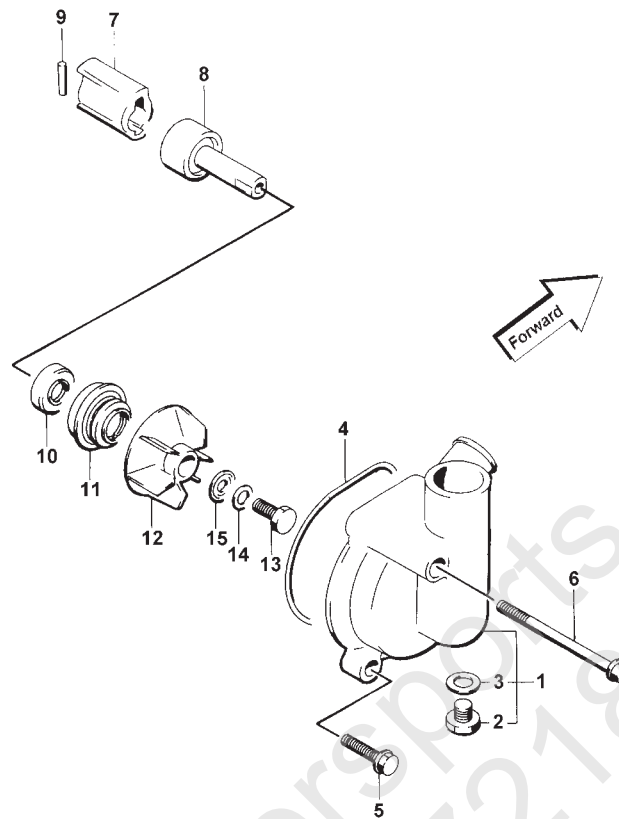




## OIL FILTER/PUMP ASSEMBLY

0732-310

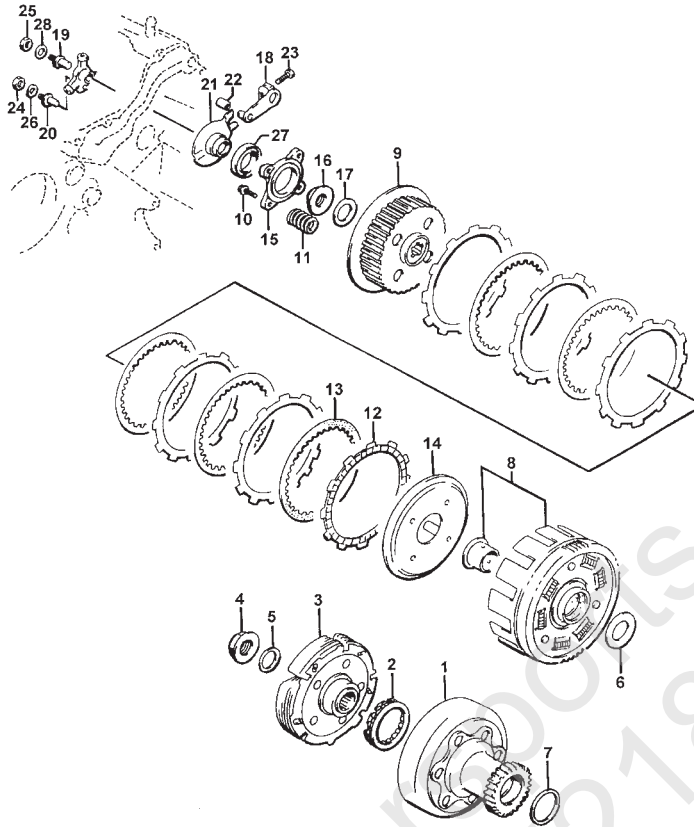
Ref.	Part No.	Qty.	Description	Ref.	Part No.	Qty.	Description
1	3402-153	1	Pump, Engine Oil	9	3402-157	1	Cap, Oil Strainer
2	3402-152	1	Gear, Driven	10	3423-077	1	O-Ring
3	3423-046	1	Pin	11	3004-756	4	Screw, Cap
4	3423-115	1	Washer	12	0436-001	1	Filter, Engine Oil
5	3423-184	1	Circlip	13	3402-036	1	Plug, Drain
6	3423-113	3	Screw, Cap	14	3402-012	1	Gasket
7	3402-156	1	Strainer, Engine Oil	15	3402-154	1	Valve, Oil Relief - Assembly
8	0693-389	2	Screw, Cap	16	3402-158	1	Union, Oil Filter



## WATER PUMP ASSEMBLY

0732-311

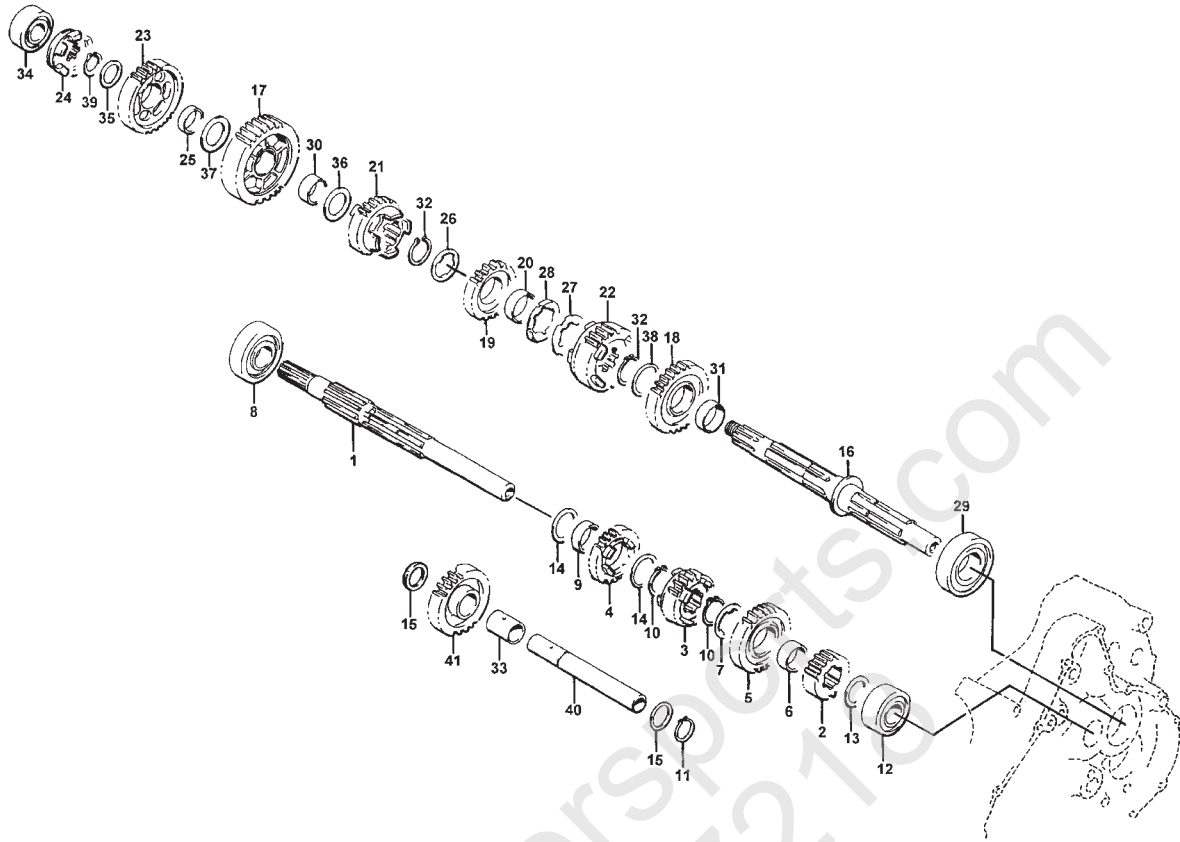
Ref.	Part No.	Qty.	Description	Ref.	Part No.	Qty.	Description
1	3402-159	1	Case, Water Pump (inc. 2-3)	9	3423-046	1	Pin
2	3423-185	1	• Screw, Cap	10	3003-356	1	Seal, Pump Drive
3	3003-188	1	• Gasket	11	3003-466	1	Seal, Mechanical
4	3423-078	1	O-Ring	12	3413-001	1	Impeller
5	3004-507	2	Screw, Cap	13	3003-426	1	Screw, Cap
6	3423-119	1	Screw, Cap	14	3003-431	1	Washer
7	3413-010	1	Joint, Water Pump Drive	15	3003-432	1	Gasket
8	3413-002	1	Shaft, Water Pump w/Bearing				



## CLUTCH ASSEMBLY

0732-312

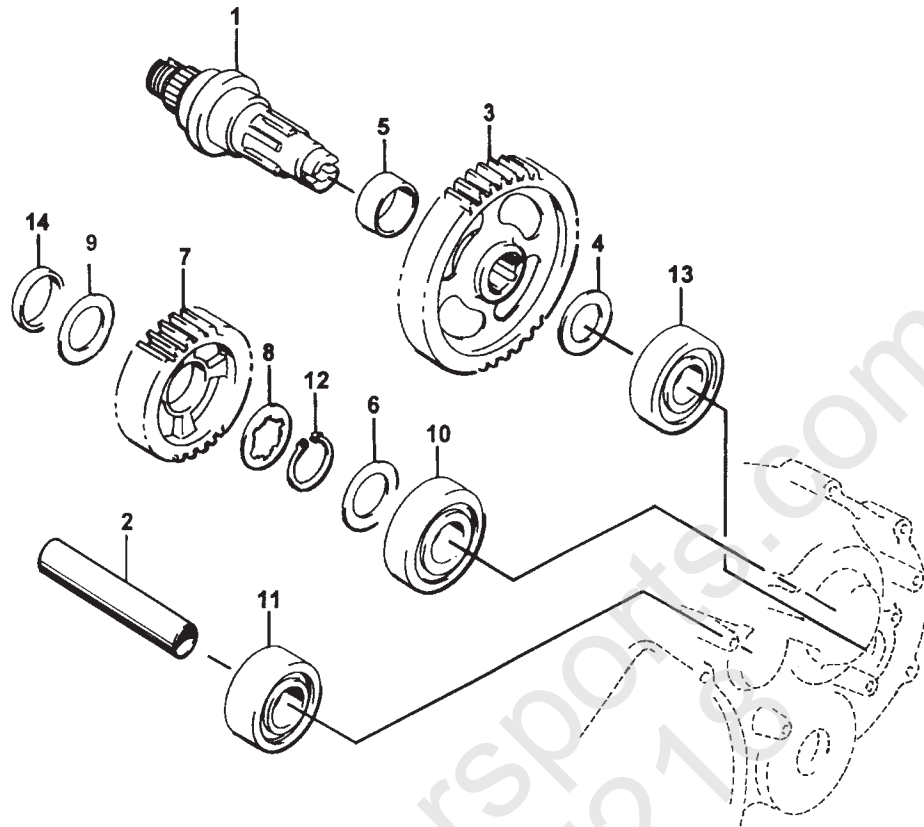
Ref.	Part No.	Qty.	Description	Ref.	Part No.	Qty.	Description
1	3446-001	1	Housing, Starter Clutch	15	3446-009	1	Plate, Clutch Release
2	3446-003	1	Clutch, Primary Drive One Way	16	3423-080	1	Nut, Clutch Sleeve Hub
3	3446-010	1	Shoe, Starter Clutch	17	3423-032	1	Washer, Sleeve Hub
4	3423-081	1	Nut, Starter Clutch Shoe	18	3446-011	1	Arm, Clutch Release
5	3423-032	1	Washer, Starter Shoe	19	3423-082	1	Bolt, Clutch (No. 1)
6	3423-122	1	Washer, Primary Driven	20	3423-083	2	Bolt, Clutch (No. 2)
7	3423-186	1	Washer, Primary Driven	21	3446-012	1	Guide, Release Roller
8	3446-002	1	Gear, Primary Driven - Assembly	22	3446-013	1	Roller, Clutch Release - Assembly
9	3446-004	1	Hub, Clutch Sleeve	23	3423-125	1	Bolt, Clutch Release Arm
10	3423-079	4	Screw, Cap, Clutch Spring	24	3008-014	1	Nut, Clutch Release (No. 2)
11	3446-005	4	Spring, Clutch	25	3423-022	1	Nut, Clutch Release (No. 1)
12	3446-006	6	Plate, Clutch Drive	26	3423-027	1	Washer, Clutch (No.2)
13	3446-007	5	Plate, Clutch Driven	27	3402-186	1	Bearing, Clutch
14	3446-008	1	Disk, Clutch Pressure	28	3423-204	1	Washer, Clutch (No. 1)



## TRANSMISSION ASSEMBLY

0732-313

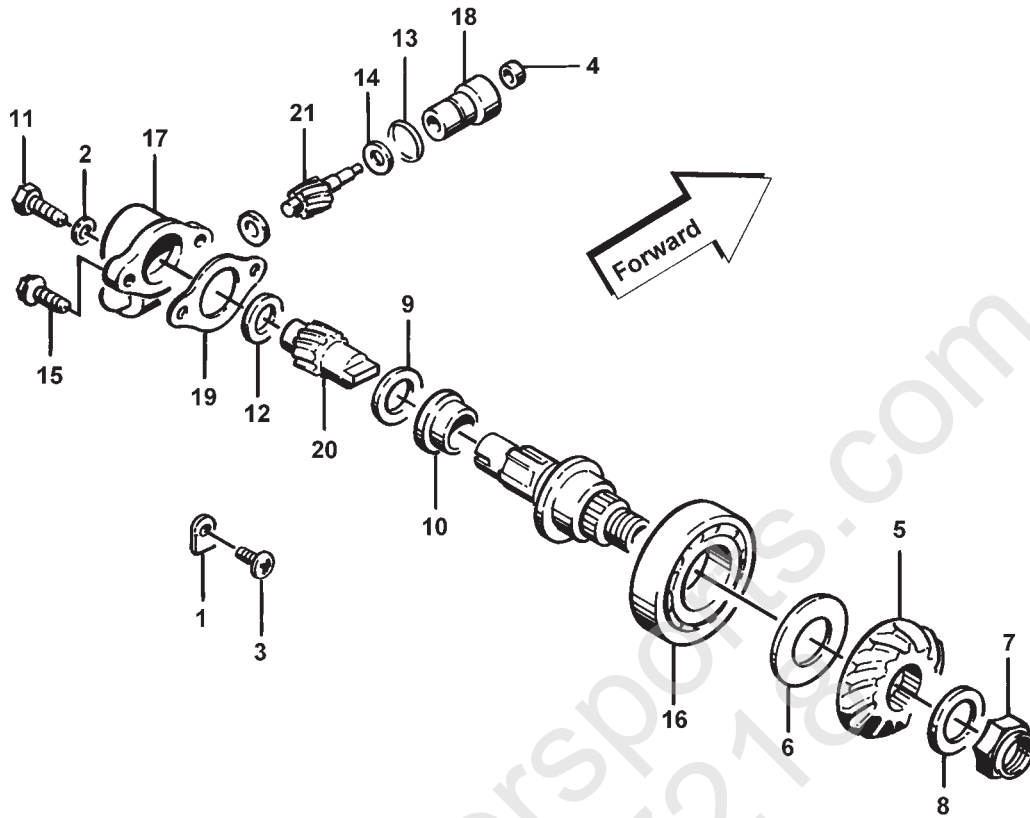
Ref.	Part No.	Qty.	Description	Ref.	Part No.	Qty.	Description
1	3446-014	1	Shaft, Counter	22	3446-026	1	Gear, 5th Driven
2	3446-016	1	Gear, 2nd Drive	23	3446-029	1	Gear, Reverse Driven
3	3446-017	1	Gear, 3rd Drive	24	3446-030	1	Dog, Reverse
4	3446-018	1	Gear, 4th Drive	25	3446-032	1	Bushing, Reverse Driven
5	3446-019	1	Gear, 5th Drive	26	3423-038	1	Washer, 3rd Driven - Right
6	3446-020	1	Bushing, 5th Drive Gear	27	3423-039	1	Washer, 3rd Driven - Left
7	3423-037	1	Washer, 5th Drive Gear	28	3423-040	1	Washer, 3rd Driven - Left
8	3402-049	1	Bearing, Center Shaft - Right	29	3402-053	1	Bearing, Driveshaft
9	3402-081	1	Bushing, 4th Drive Gear	30	3402-080	1	Bushing, 1st Driven
10	3423-066	2	Circlip, 4th Drive	31	3402-082	1	Bushing, 2nd Driven
11	3423-190	1	Circlip, Reverse Idle	32	3423-188	2	Circlip, 2nd Driven
12	3402-179	1	Bearing, Center Shaft	33	3402-079	1	Bushing, Reverse Idle
13	3402-195	1	Shim	34	3003-320	1	Bearing, Driveshaft - Right
14	3423-187	2	Washer, 4th Drive	35	3423-129	1	Washer, Reverse Driven
15	3423-126	2	Washer, Reverse Idle	36	3423-130	1	Washer, 1st Driven - Left
16	3446-015	1	Shaft, Drive	37	3423-131	1	Washer, 1st Driven - Right
17	3446-021	1	Gear, 1st Driven	38	3003-605	1	Washer, 2nd Driven
18	3446-022	1	Gear, 2nd Driven	39	3423-189	1	Circlip, Reverse Driven
19	3446-023	1	Gear, 3rd Driven	40	3446-027	1	Shaft, Reverse Idle
20	3446-024	1	Bushing, 3rd Driven	41	3446-028	1	Gear, Reverse Idle
21	3446-025	1	Gear, 4th Driven				



## SECONDARY TRANSMISSION ASSEMBLY

0732-936

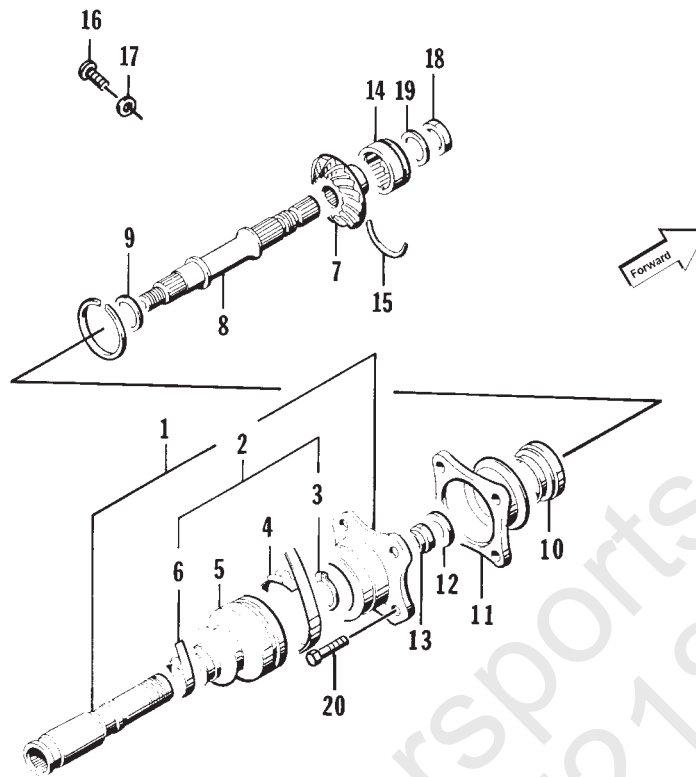
Ref.	Part No.	Qty.	Description	Ref.	Part No.	Qty.	Description
1	3446-065	1	Shaft, Output	8	3423-036	1	Washer
2	3446-109	1	Spacer, Idle Gear	9	3402-015	1	Spacer, Drive
3	3446-072	1	Gear, Driven	10	3402-046	1	Bearing, Driveshaft - Left
4	3423-150	1	Washer	11	3402-047	1	Bearing, Center Shaft - Left
5	3446-069	1	Spacer	12	3423-066	1	Circlip, (No. 1)
6	3402-194	1	Washer	13	3402-045	1	Bearing Set - Left
7	3446-110	1	Gear, (No. 1)	14	3446-068	1	Spacer



## SPEEDOMETER DRIVE ASSEMBLY

0732-459

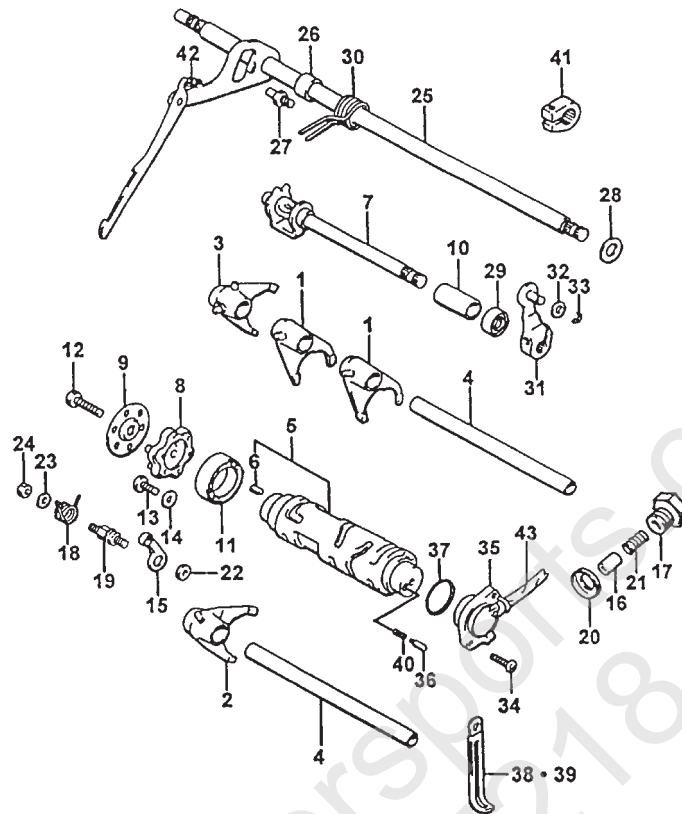
Ref.	Part No.	Qty.	Description	Ref.	Part No.	Qty.	Description
1	3446-031	2	Retainer, Bearing	12	3423-145	1	Washer
2	3402-009	1	Washer, Driven	13	3423-056	1	O-Ring
3	3004-552	2	Screw, Retainer	14	3423-144	1	Washer
4	3402-077	1	Seal, Driven Gear	15	3004-507	2	Screw, Cap
5	3446-033	1	Gear	16	3402-055	1	Bearing Set - Right
6	3446-035	1	Shim Set	17	3446-057	1	Housing, Odometer Gear
7	3423-023	1	Nut	18	3446-058	1	Sleeve
8	3423-032	1	Washer	19	3446-059	1	Gasket
9	3423-146	1	Washer - Right	20	3446-060	1	Gear, Drive
10	3446-114	1	Spacer, Driven Gear	21	3446-061	1	Gear, Driven
11	3423-143	1	Screw, Cap				



## SECONDARY DRIVE ASSEMBLY

0732-937

Ref.	Part No.	Qty.	Description	Ref.	Part No.	Qty.	Description
1	3435-010	1	Joint Assembly, Rear Output (inc. 2-6)	10	3402-072	2	Seal, Oil
2	3435-066	1	• Boot Set, Joint (inc. 3-6)	11	3435-003	1	Flange, Output Joint
3	3423-210	1	•• Ring Snap	12	3423-028	2	Washer, Rear Output Flange
4	3423-211	1	•• Clamp	13	3423-025	1	Nut
5	3435-067	1	•• Boot	14	3402-062	1	Bearing, Roller
6	3423-212	1	•• Clamp	15	3423-072	1	C-Ring
7	3446-034	1	Gear, Secondary Driven Bevel	16	3004-552	2	Screw, Cap
8	3446-037	1	Shaft - Rear	17	3423-135	2	Retainer
9	3402-017	1	Shim, 25 x 34 .6 mm	18	3423-136	1	Nut, Secondary Driven Gear
	3402-018	1	Shim, 25 x 34 .65 mm	19	3423-137	1	Washer
	3402-019	1	Shim, 25 x 34 x .700 mm	20	8408-820	4	Bolt
	3402-020	1	Shim, 25 x 34 x .75 mm				
	3402-021	1	Shim, 25 x 34 x .80 mm				
	3402-022	1	Shim, 25 x 34 x .85 mm				
	3402-023	1	Shim, 25 x 34 x .90 mm				
	3402-024	1	Shim, 25 x 34 x .95 mm				
	3402-025	1	Shim, 25 x 34 x 1 mm				
	3402-028	1	Shim, 25 x 34 x 1.05 mm				
	3402-029	1	Shim, 25 x 34 x 1.10 mm				
	3402-030	1	Shim, 25 x 34 x 1.15 mm				
	3402-031	1	Shim, 25 x 34 x 1.20 mm				

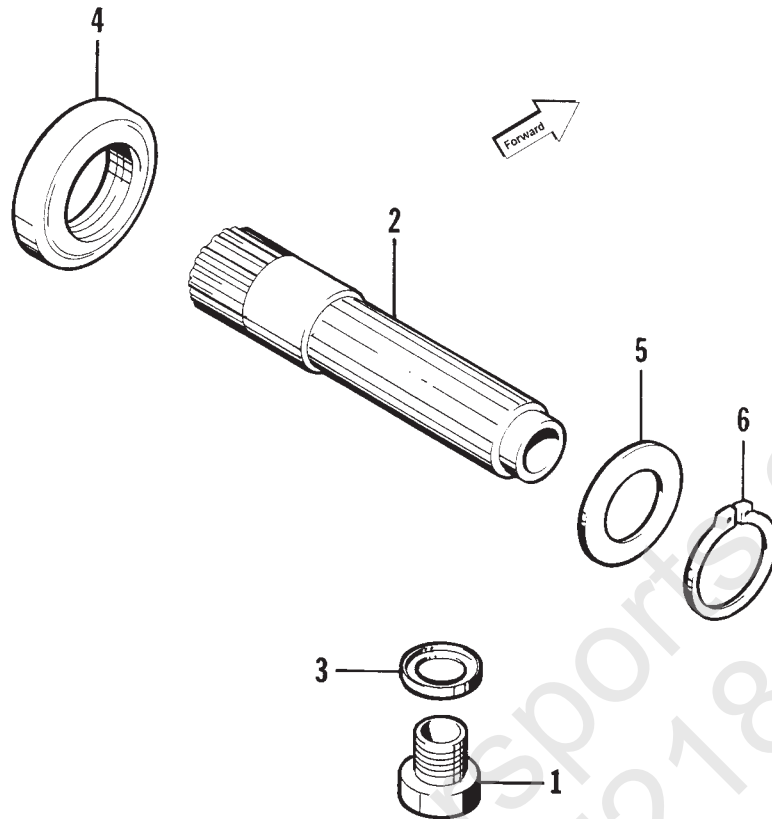


## GEAR SHIFTING ASSEMBLY

0732-316

Ref.	Part No.	Qty.	Description	Ref.	Part No.	Qty.	Description
1	3446-038	2	Fork, (No. 2)	22	3423-141	1	Washer, Gear Shift Cam
2	3446-039	1	Fork, (No. 3)	23	3423-142	1	Washer, Cam Stopper Arm
3	3446-040	1	Fork, Reverse	24	3004-488	1	Nut, Cam Stopper Arm Support
4	3446-052	2	Shaft, Gear Shift Fork	25	3446-053	1	Shaft, Gear Shift
5	3446-041	1	Cam, Gear Shift (inc. 6)	26	3446-054	1	Spacer, Gear Shift Shaft
6	3423-114	1	● Pin, Gear Shift	27	3446-056	1	Stopper, Gear Shift Arm
7	3446-042	1	Cam, Reverse Shift	28	3402-068	1	Seal, Gear Shift Shaft Oil
8	3446-049	1	Plate, Gear Shift Cam	29	3402-076	1	Seal, Reverse Shift Oil
9	3446-050	1	Guide, Gear Shift Cam Plate	30	3402-094	1	Spring, Gear Shift Return
10	3402-014	1	Spacer, Reverse Shift Cam	31	3446-055	1	Arm, Reverse Gear Shift
11	3402-051	1	Bearing, Gear Shift Cam	32	3423-204	1	Washer, Gear Shift Cable Arm
12	3423-125	1	Bolt, Clutch Release Arm	33	3423-168	1	E-Ring, Gear Shift Cable Arm
13	3004-552	2	Screw, Cam Bearing Retainer	34	3423-166	2	Screw, Cap
14	3423-135	2	Retainer, Bearing	35	3430-015	1	Base Assembly
15	3446-043	1	Stopper, Gear Shift Cam	36	3423-044	1	Contact, Neutral
16	3446-044	1	Stopper, Reverse Shift Cam	37	3423-059	1	O-Ring, Neutral
17	3446-046	1	Housing, Reverse Cam Stopper	38	3004-787	1	Clamp
18	3446-047	1	Spring, Shift Cam Stopper Arm	39	3004-761	1	Clamp
19	3446-048	1	Support, Shift Cam Stopper	40	3402-087	1	Spring
20	3402-012	1	Gasket, Cam Stopper Housing	41	3402-008	1	Hub, Gear Shift
21	3402-088	1	Spring, Reverse Cam Stopper	42	3402-093	1	Spring, Gearshift

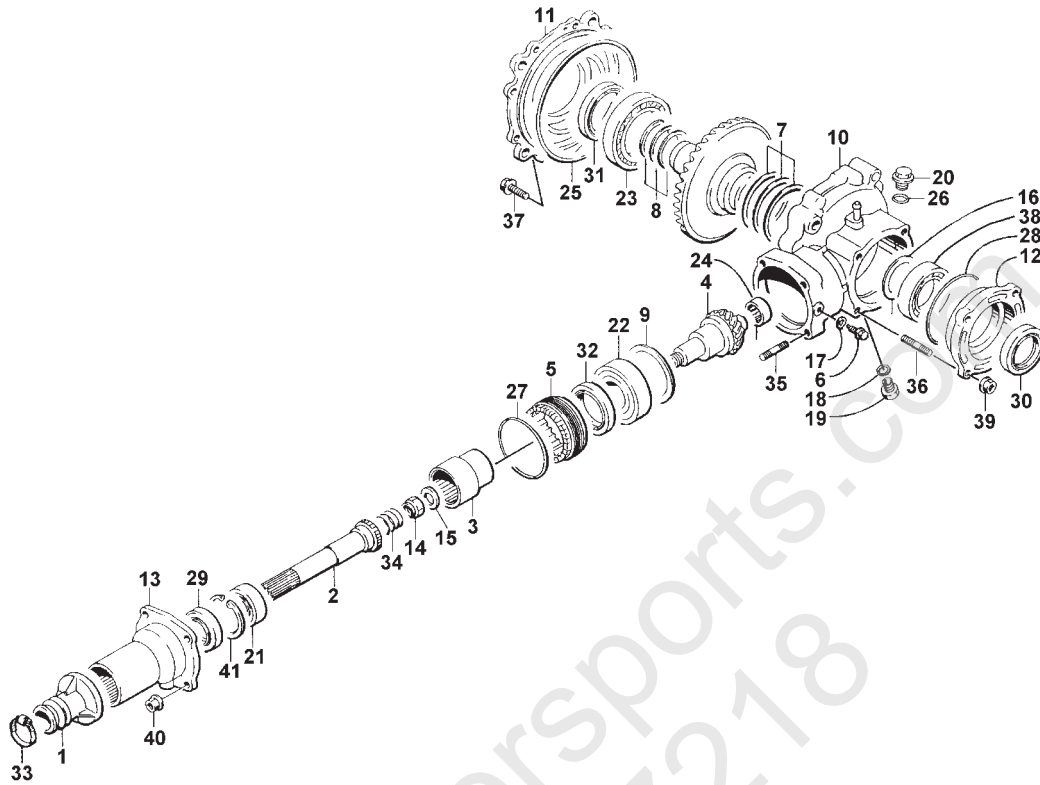




### SHIFTER ASSEMBLY

0732-938

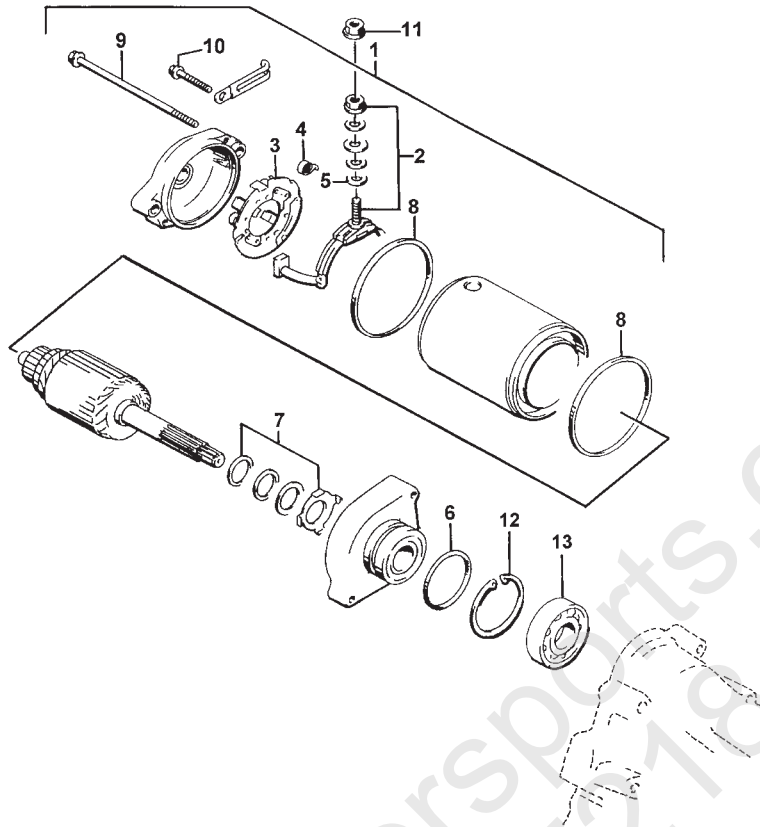
Ref.	Part No.	Qty.	Description	Ref.	Part No.	Qty.	Description
1	3446-046	1	Housing, Shift Stop	4	3402-071	1	Seal, Oil
2	3446-076	1	Shaft, Shift	5	3423-158	1	Washer, Shaft - Left
3	3402-012	1	Gasket, Cam Stop	6	3423-193	1	Circlip, Shaft - Left



## REAR BEVEL GEAR ASSEMBLY

0732-319

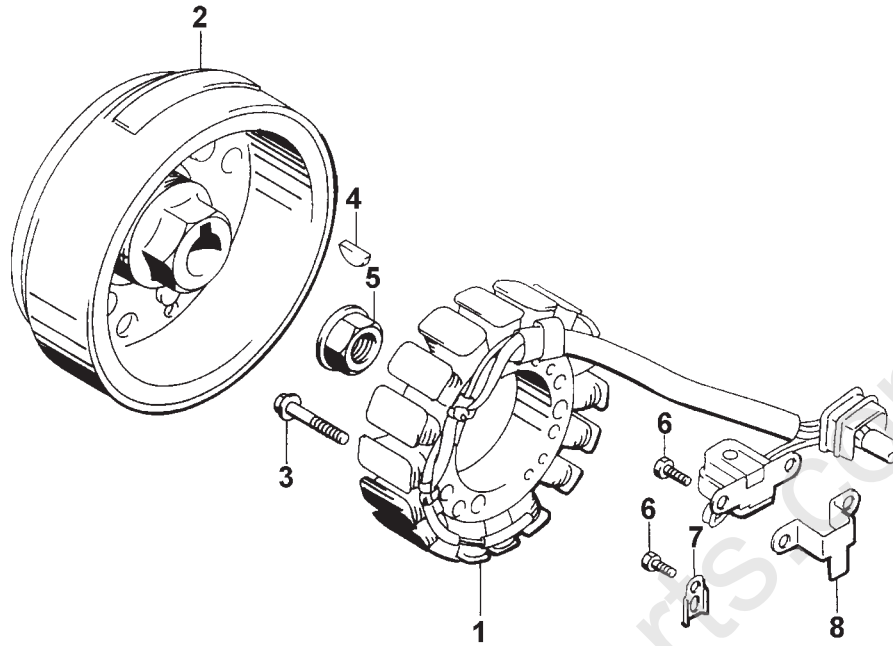
Ref.	Part No.	Qty.	Description	Ref.	Part No.	Qty.	Description
1	3435-051	1	Boot, Final Drive	22	3402-056	1	Bearing
2	3435-006	1	Shaft, Rear Final	23	3402-059	1	Bearing - Right
3	3435-008	1	Coupling, Rear	24	3402-061	1	Bearing, Final Drive Pilot
4	3435-012	1	Gear Set	25	3423-173	1	O-Ring, Bearing Case - Right
5	3435-015	1	Stopper, Rear Final	26	3423-057	1	O-Ring, Gear Oil Filler
6	3435-016	1	Pin, Bearing Stopper	27	3423-065	1	O-Ring, Final Bearing Stopper
7	3435-019	1	Shim Set	28	3003-335	1	O-Ring, Bearing Case - Left
8	3435-020	1	Shim Set	29	3435-048	1	Seal, Final Driven
9	3435-065	1	Shim Set	30	3402-073	1	Seal, Oil
10	3435-023	1	Case	31	3402-074	1	Seal, Oil
11	3435-026	1	Case - Right	32	3402-075	1	Seal, Oil
12	3435-027	1	Case - Left	33	3004-786	1	Clamp - Right
13	3435-028	1	Housing	34	3402-092	1	Spring
14	3423-025	1	Nut, Rear Drive Pinion	35	3004-279	4	Stud, Bolt
15	3423-029	1	Washer, Drive Nut	36	3004-301	2	Stud, Bolt - Left
16	3423-171	1	Washer - Left	37	3423-175	9	Bolt, Bearing - Right
17	3003-290	1	Gasket, Bearing Stopper Pin	38	3402-187	1	Bearing - Left
18	3402-012	1	Gasket, Oil Drain Plug	39	3004-326	2	Nut
19	3402-036	1	Plug, Oil Drain	40	3423-206	4	Nut, Rear Final Housing
20	3402-039	1	Plug, Gear Oil Filler	41	3423-194	1	Circlip Set
21	3402-052	1	Bearing				



## STARTER MOTOR ASSEMBLY

0732-320

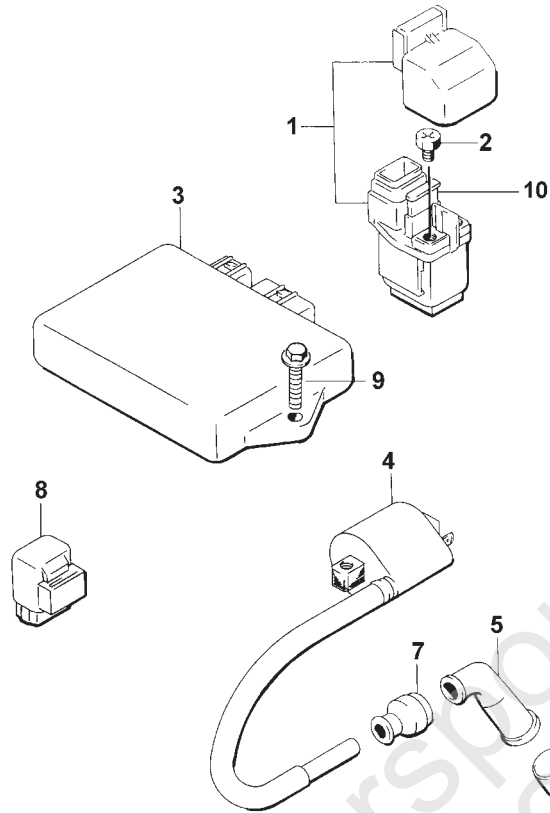
Ref.	Part No.	Qty.	Description	Ref.	Part No.	Qty.	Description
1	3545-001	1	Motor, Starter Assembly (inc. 2-9)	8	3008-101	2	• O-Ring
2	3008-094	1	• Terminal Set, Brush	9	3423-085	2	• Screw, Cap
3	3008-095	1	• Holder Set, Brush	10	3423-162	2	Screw, Cap
4	3008-096	4	• Spring, Brush	11	3423-195	1	Nut
5	3008-164	1	• O-Ring	12	3423-201	1	Circlip
6	3423-084	1	• O-Ring	13	3402-043	1	Bearing, Pinion Shaft
7	3436-001	1	• Washer Set				



## MAGNETO ASSEMBLY

0732-939

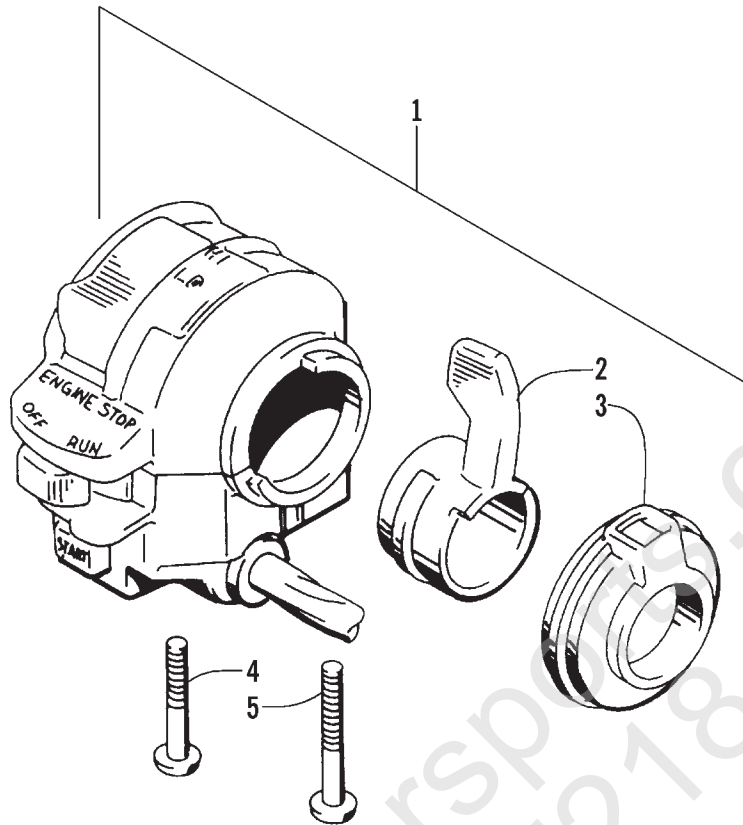
Ref.	Part No.	Qty.	Description	Ref.	Part No.	Qty.	Description
1	3430-011	1	Stator - Assembly	5	3423-086	1	Nut, Magneto
2	3430-012	1	Rotor	6	3423-005	3	Screw, Cap
3	3423-162	3	Bolt, Magneto	7	3430-005	1	Clamp, Magneto (No. 1)
4	0691-785	1	Key, Magneto	8	3430-006	1	Clamp, Magneto (No. 2)



## ELECTRICAL COMPONENTS ASSEMBLY

0732-322

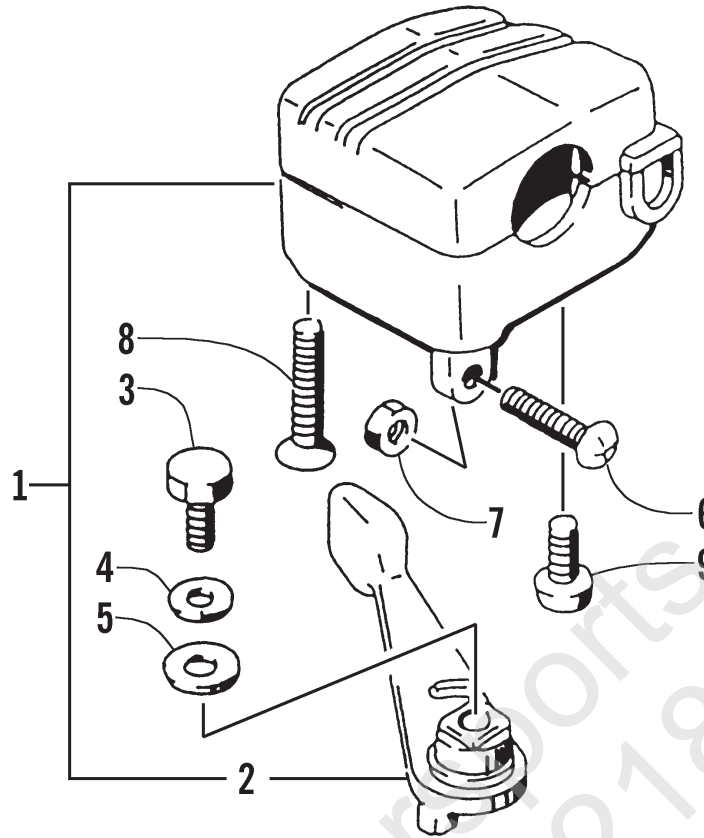
Ref.	Part No.	Qty.	Description	Ref.	Part No.	Qty.	Description
1	3530-001	1	Relay, Starter Motor - Assembly	6	3430-008	1	Seal, Spark Plug
2	3423-020	2	Screw, Cap	7	3430-009	1	Seal, High Tension Cord
3	3430-014	1	CDI Unit	8	3530-008	1	Relay, Neutral Start - Assembly
4	3530-004	1	Coil, Ignition - Assembly	9	8408-616	2	Screw, Cap
5	3430-007	1	Cap, Spark Plug				



## CONTROL SWITCH HOUSING ASSEMBLY

0732-323

Ref.	Part No.	Qty.	Description	Ref.	Part No.	Qty.	Description
1	3509-001	1	Switch, Handle - Assembly (inc. 2-5)	4	3423-196	1	• Screw, Machine
2	3409-009	1	• Lever, Choke	5	3423-197	1	• Screw, Machine
3	3409-010	1	• Cover, Choke				



## THROTTLE CASE ASSEMBLY

0732-324

Ref.	Part No.	Qty.	Description	Ref.	Part No.	Qty.	Description
1	3509-002	1	Case, Throttle - Assembly (inc. 2-9)	6	3423-014	1	• Screw, Machine
2	3409-001	1	• Lever	7	3423-198	1	• Nut
3	3004-533	1	• Screw, Machine	8	3423-199	2	• Screw, Machine
4	3004-447	1	• Washer, Lock	9	3004-638	1	• Screw, Machine
5	3003-030	1	• Washer				

# Related Items

Model No. 97A2A

0436-086	Battery, Heavy Duty	0436-014	Safety Flag
0436-084	Crossbar Channel, Rear Rack	0436-078	Skid Plate, Full Length
0436-085	Crossbar Channel, Front Rack	0436-019	Speedometer Kit
0436-091	Differential Cover	0436-040	Spotlight Kit
0436-016	Electrical Accessory Plug Kit	0436-010	Storage Cover, Black & Green
0436-035	Engine Heater	0436-011	Storage Cover, Camo
0436-076	Fender Flare, Front 4 x 4	0436-031	Strap - Green, Cam Loc
0436-077	Fender Flare, Rear 4 x 4	0436-032	Strap - Black, Cam Loc
0436-073	Front Rack, 4 x 4	0436-102	Strap - Orange, Ratchet Buckle
0436-075	Front Bumper, 4 x 4	0436-101	Strap - Black, Ratchet Buckle
0436-083	Gear Indicator Light Assembly	0436-041	Tire Repair Kit, Standard
0436-023	Gun Scabbard	0436-042	Tire Repair Kit, Deluxe
0436-088	Hi-Low Range Transmission Kit	0402-155	Tire, 471-AT25x10-12
0436-079	Light Mounting Plate	0402-154	Tire, 471-AT25x8-12
2255-647	Manual, Illustrated Parts	0436-045	Tire Sealant w/Case
2255-520	Manual, Operator's	0436-082	Tool Box
2255-648	Manual, Service	0436-034	Tool Holder
0436-081	Mounting Bracket, Scabbard	0436-017	Trailer Hitch
0436-015	Mud Flap Kit, Rear	0436-080	Winch Mounting Plate
0436-093	Mud Flap Kit, Front	0436-024	Winch
0436-044	Primer Kit	0436-068	Winch Accessory Kit
0436-074	Rear Rack, 4 x 4	0436-039	Work Light

